

TERROVA

BOW-MOUNT TROLLING MOTOR

Installation Instructions

INTRODUCTION

THANK YOU

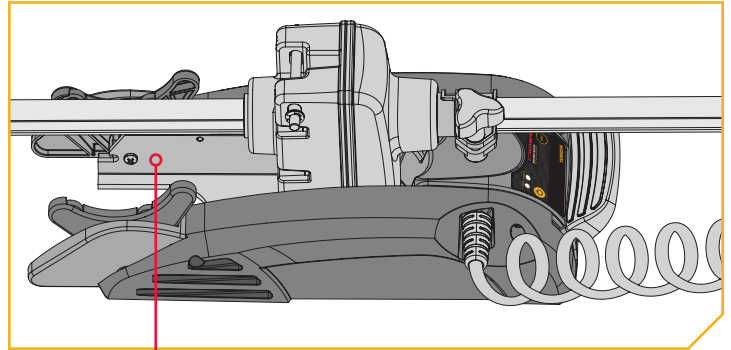
Thank you for choosing Minn Kota. We believe that you should spend more time fishing and less time positioning your boat. That's why we build the smartest, toughest, most intuitive trolling motors on the water. Every aspect of a Minn Kota trolling motor is thought out and rethought until it's good enough to bear our name. Countless hours of research and testing provide you the Minn Kota advantage that can truly take you "Anywhere. Anytime." We don't believe in shortcuts. We are Minn Kota. And we are never done helping you catch more fish.

REGISTRATION

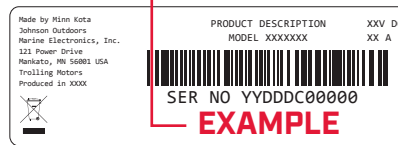
Remember to keep your receipt and immediately register your trolling motor on our website at minnkota.johnsonoutdoors.com/us/register.

SERIAL NUMBER

Your Minn Kota 11-character serial number is very important. It helps to determine the specific model and year of manufacture. When contacting Consumer Service or registering your product, you will need to know your product's serial number.



NOTICE: The serial number on your Terrova is located inside the mount below the motor rests.



MOTOR INFORMATION (For Consumer Reference Only)

Model: _____

Serial Number: _____

Purchase Date: _____

Store Where Purchased: _____

NOTICE: Do not return your Minn Kota motor to your retailer. Your retailer is not authorized to repair or replace this unit. You may obtain service by: calling Minn Kota at (800) 227-6433; returning your motor to the Minn Kota Factory Service Center; sending or taking your motor to any Minn Kota authorized service center. A list of authorized service centers is available on our website, at minnkota.johnsonoutdoors.com. Please include proof of purchase, serial number and purchase date for warranty service with any of the above options.

Made for iPhone® 11 and iPhone X

For updated iOS, Humminbird® and Minn Kota® compatibility, visit minnkota.johnsonoutdoors.com



Use of the Made for Apple badge means that an accessory has been designed to connect specifically to the Apple product(s) identified in the badge, and has been certified by the developer to meet Apple performance standards. Apple is not responsible for the operation of this device or its compliance with safety and regulatory standards. iPhone is a trademark of Apple Inc., registered in the U.S. and other countries. The trademark "iPhone" is used in Japan with a license from Airphone K.K.

Android™ is a trademark of Google LLC. The Android™ robot is reproduced or modified from work created and shared by Google and used according to terms described in the Creative Commons 3.0 Attribution License.

SAFETY CONSIDERATIONS

Please thoroughly read the user manual. Follow all instructions and heed all safety and cautionary notices. Use of this motor is only permitted for persons that have read and understood these user instructions. Minors may use this motor only under adult supervision.

WARNING

You are responsible for the safe and prudent operation of your vessel. We have designed your Minn Kota product to be an accurate and reliable tool that will enhance boat operation and improve your ability to catch fish. This product does not relieve you from the responsibility for safe operation of your boat. You must avoid hazards to navigation and always maintain a permanent watch so you can respond to situations as they develop. You must always be prepared to regain manual control of your boat. Learn to operate your Minn Kota product in an area free from hazards and obstacles.

WARNING

Never run the motor out of the water, as this may result in injuries from the rotating propeller. The motor should be disconnected from the power source when it is not in use or is off the water. When connecting the power-supply cables of the motor to the battery, ensure that they are not kinked or subject to chafe and route them in such a way that persons cannot trip over them. Before using the motor make sure that the insulation of the power cables is not damaged. Disregarding these safety precautions may result in electric shorts of battery(s) and/or motor. Always disconnect motor from battery(s) before cleaning or checking the propeller. Avoid submerging the complete motor as water may enter the lower unit through control head and shaft. If the motor is used while water is present in the lower unit considerable damage to the motor can occur. This damage will not be covered by warranty.

WARNING

Take care that neither you nor other persons approach the turning propeller too closely, neither with body parts nor with objects. The motor is powerful and may endanger or injure you or others. While the motor is running watch out for persons swimming and for floating objects. Persons who lack the ability to run the motor or whose reactions are impaired by alcohol, drugs, medication, or other substances are not permitted to use this motor. This motor is not suitable for use in strong currents. The constant noise pressure level of the motor during use is less than 70dB(A). The overall vibration level does not exceed 2,5 m/sec².

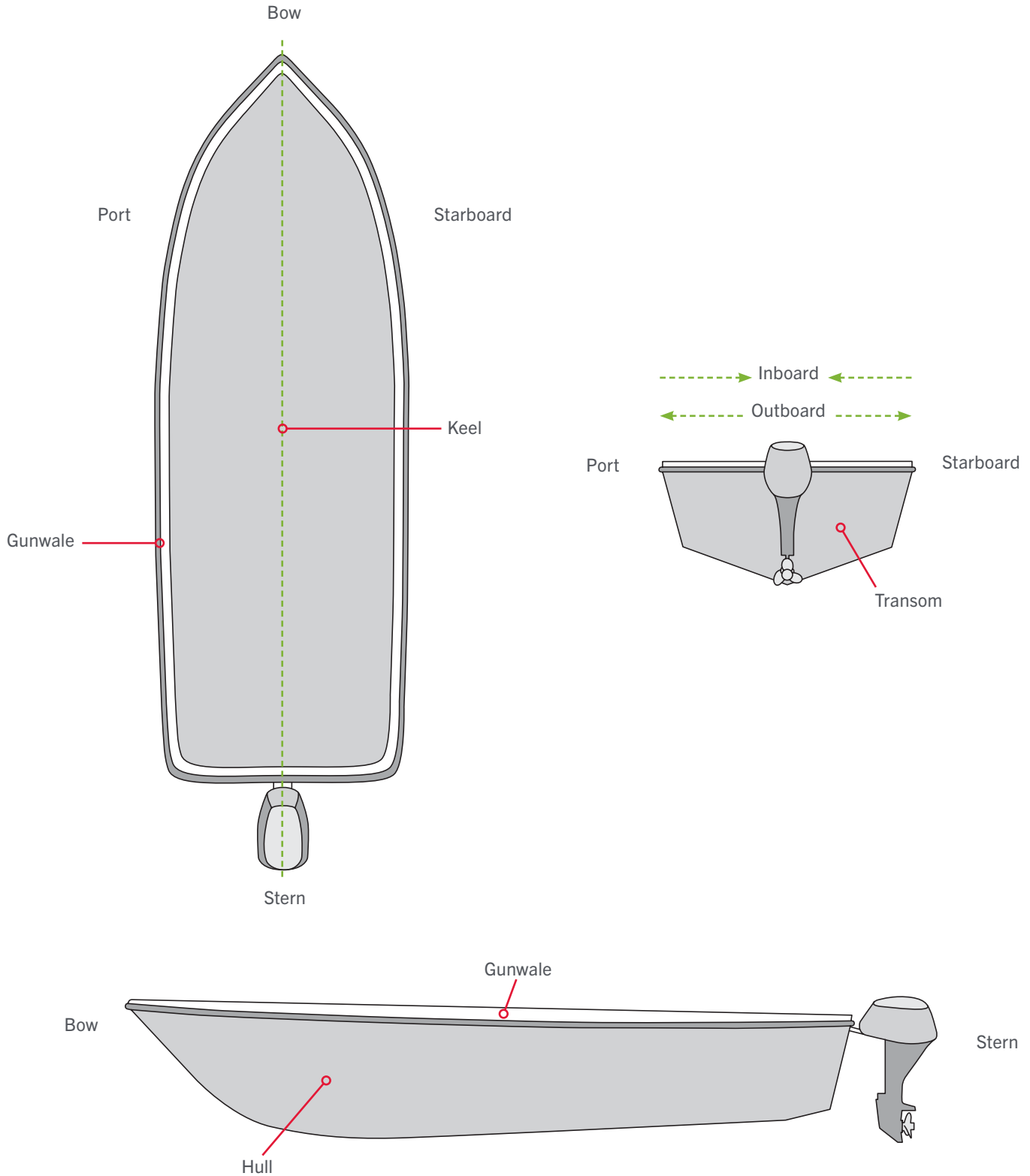
WARNING

When stowing or deploying the motor, keep fingers clear of all hinge and pivot points and all moving parts. In the event of unexpected operation, remove power leads from the battery.

WARNING

It is recommended to only use Johnson Outdoors approved accessories with your Minn Kota motor. Using non-approved accessories including to mount or control your motor may cause damage, unexpected motor operation and injury. Be sure to use the product and approved accessories, including remotes, safely and in the manner directed to avoid accidental or unexpected motor operation. Keep all factory installed parts in place including motor and accessory covers, enclosures and guards.

KNOW YOUR BOAT



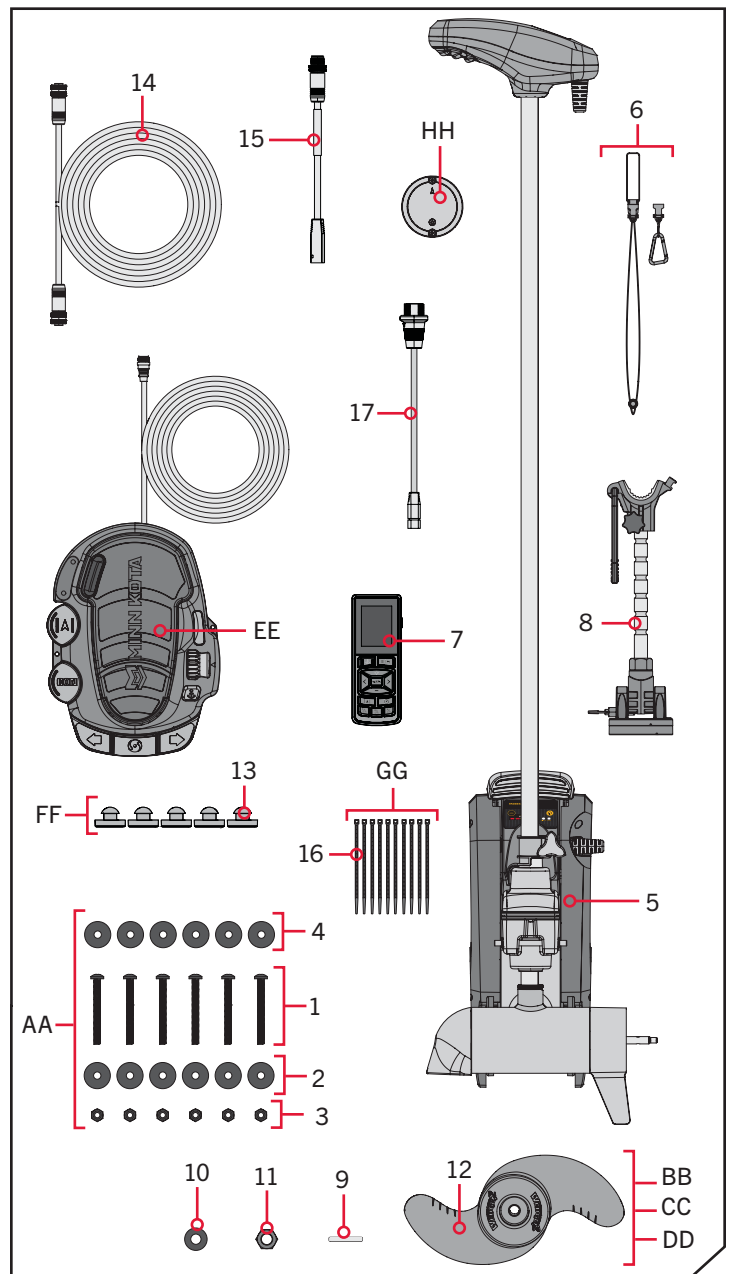
INSTALLATION

INSTALLING THE TERROVA

Your new Terrova comes with everything you'll need to directly install it to the boat. This motor can be directly mounted to the boat or coupled with a Minn Kota quick release bracket for ease of mounting and removal. For installation with a quick release bracket, refer to the installation instructions provided with the bracket. For compatible quick release mounting brackets and to locate your nearest dealer, visit minnkota.johnsonoutdoors.com. To install the motor directly to the boat, please follow the instructions provided in this manual. Please review the parts list, mounting considerations and tools needed for installation prior to getting started. For additional product support, please visit minnkota.johnsonoutdoors.com.

INSTALLATION PARTS LIST

Item / Assembly	Part #	Description	Qty.
AA (Includes 1-4)	2994864	BAG ASSEMBLY - (BOLT, NUT, WASHERS)	1
1	2263462	SCREW-1/4 X 2" S/S PPH ADJT	6
2	2261713	WASHER-1/4 FLAT 18-8 SS	6
3	2263103	NUT-1/4-20 NYLOCK SS	6
4	2301720	WASHER-MOUNTING - RUBBER	6
5	✘	MOTOR ASSEMBLY	1
6	2390802	LANYARD w/CARABINER IP RMT U2	1
7	411690-1	TROLLING MOTOR REMOTE	1
8	2992371	STABILIZER, BWMT ES TM ASM *72"*	1
BB (Includes 9-12)	1378131	PROP IND 2091160 WDLS WDG II *55LB*	1
CC (Includes 9-12)	1378132	PROP IND 2331160 WDLS WDG II *80LB*	1
DD (Includes 9-12)	1378160	PROP KIT 2341160 112# WW2 *112LB*	1
9	2262658	PIN-DRIVE 1" X 3/16" S/S *55LB*	1
	2092600	PIN-DRIVE 1.06" LG (SS) *80LB* *112LB*	1
10	2151726	WASHER-5/16 STD (S/S) *55LB*	1
	2091701	WASHER-PROP (LARGE) *80LB* *112LB*	1
11	2053101	NUT-PROP,NYLOC (MED) 5/16 SS *55LB*	1
	2093101	NUT-PROP,NYLOC,LG, 3/8 SS *80LB* *112LB*	1
12	2091161	PROP-WW2 3 5/8" MACHINED *55LB*	1
	2331161	PROP-WW2 4" WELDED *80LB*	1
	2341161	PROP-WW2 4.5" WELDED *112LB*	1
EE	2994733	FT PEDAL ASM TRV 3 PM *DUAL SPECTRUM CHIRP* *BUILT-IN MEGA DOWN IMAGING*	1
FF (Includes 13)	2994859	BAG, ASY-TERROVA/V2, RUB BUMPERS	1
13	2325110	PAD, FOOT PEDAL	5
14	490384-4	CABLE, ETHERNET (M12-M12), 30'	1
15	490380-1	CABLE, ETHERNET PIGTAIL-700 HD	1
GG (Includes 16)	2996300	BAG ASM, TIE WRAPS, LOW PRO 4"	1
16	2206300	TIE_WRAP, LOW PROFILE 4"	10
HH	2996400	HEADING SENSOR ASSEMBLY	1
17	2994961	BAG ASM, CABLE,ADPTR, 490537-2 *MKR-MI-1*	1
▲	2327134	MANUAL, TERROVA 3 PM	1
▲	2327136	MANUAL-INSTLL GUIDE T3 PM	1
▲	2297165	MANUAL-DISCLAIMER,DWNLOAD INFO	1
▲	2294950	INSTRUCTIONS,OBN & REMOTE PAIR	1
▲	2207131	STANDARD QS SETUP GUIDE	1
▲	2377179	INSTR.SHEET, MKA-60 STBLZR *72"*	1
▲	2397110	MANUAL, iPILOT 4.0	1
▲	2397115	GUIDE-QCK REFERENCE IP 4.0	1



▲ Not shown on Parts Diagram. ✘ This part is included in an assembly and cannot be ordered individually.

INSTALLING THE TERROVA

MOUNTING CONSIDERATIONS

It is recommended that the motor be mounted as close to the centerline of the boat as possible. Make sure the area under the mounting location is clear to drill holes and install nuts and washers. Make sure the motor rest is positioned far enough beyond the edge of the boat. The motor must not encounter any obstructions as it is lowered into the water or raised into the boat when stowed and deployed. Consider a quick release or adapter bracket with the installation of your motor. To view a list of accessories, please visit minnkota.johnsonoutdoors.com.



View accessories available for your trolling motor at minnkota.johnsonoutdoors.com.

TOOLS AND RESOURCES REQUIRED

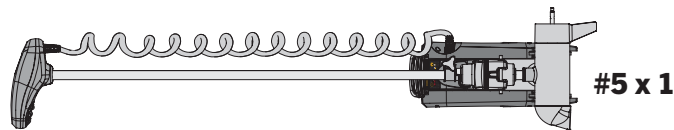
- #3 Phillips Screwdriver
- Drill
- 9/32" Drill Bit
- 7/16" Box/Open End Wrench
- 9/16" Box/Open End Wrench
- Pliers or Vice Grip
- A second person to help with the installation
- Flat-blade Screwdriver
- Awl or similar Marking Tool

INSTALLATION

INSTALLING THE TERROVA

1

ITEM(S) NEEDED



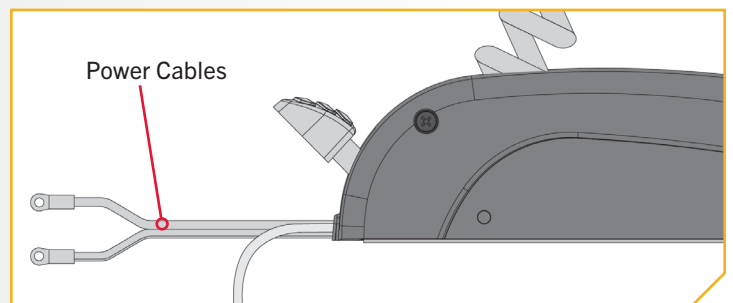
- Place the trolling motor (Item #5) on an elevated, level surface, such as a workbench or the tailgate of a pickup. The motor, as removed from the box, should be in the stowed position.
- Make sure the Power Cables are not connected to a power source or that the battery breaker, if equipped, is "off."



WARNING

Make sure the motor is on a level surface and is not connected to a power source.

NOTICE: The trolling motor weighs approximately 65lb. Minn Kota recommends having a second person help with the installation.

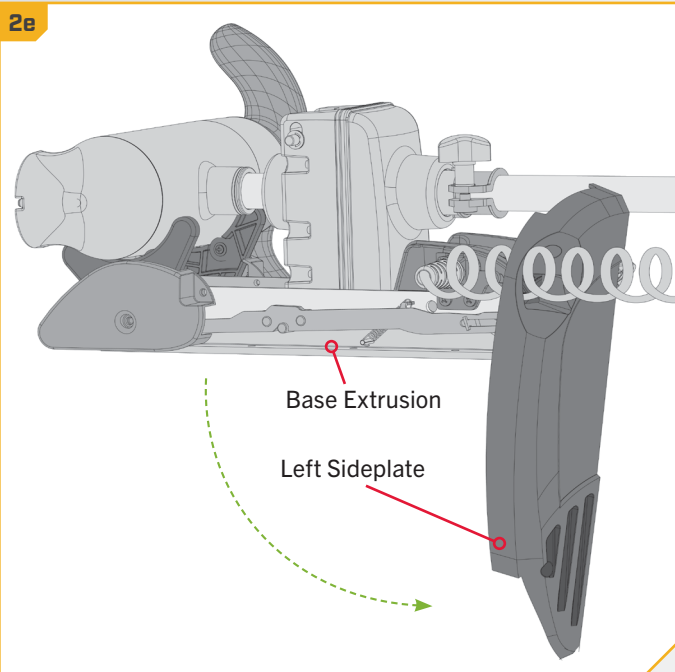


INSTALLING THE TERROVA

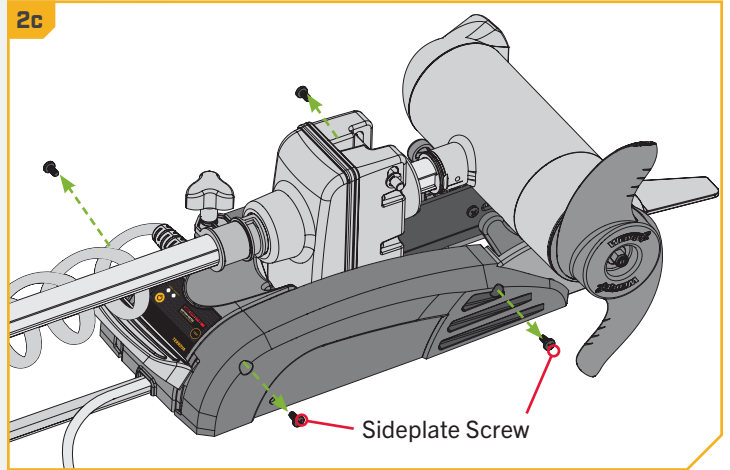
2

- c. Remove the four sideplate screws using a #3 Phillips Screwdriver. Two of these screws will be located on each side of the mount.
- d. Remove the Right Sideplate.
- e. Swing the Left Sideplate out and away from the Base Extrusion.

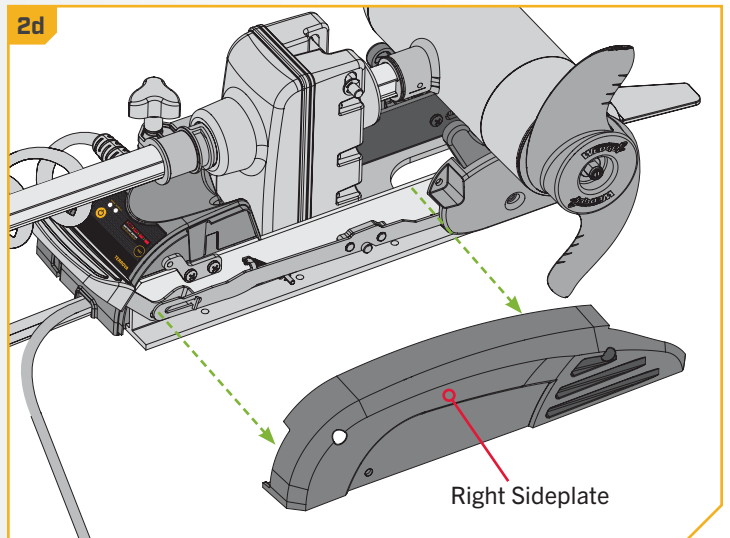
2e



2c

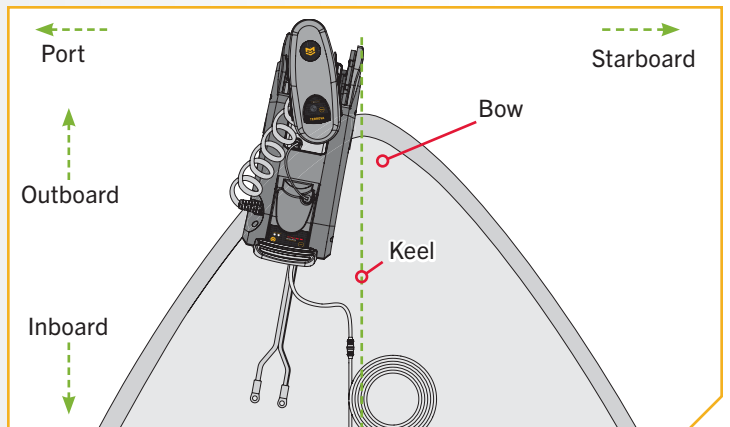


2d



3

- f. Review the mounting considerations at the beginning of the installation. Place the motor on the bow of the boat at the intended mounting location, as close to the centerline or keel as possible. The motor can be installed on either the Port or Starboard side of the boat, based on personal preference. Check placement with the motor in the stowed and deployed positions.



INSTALLING THE TERROVA

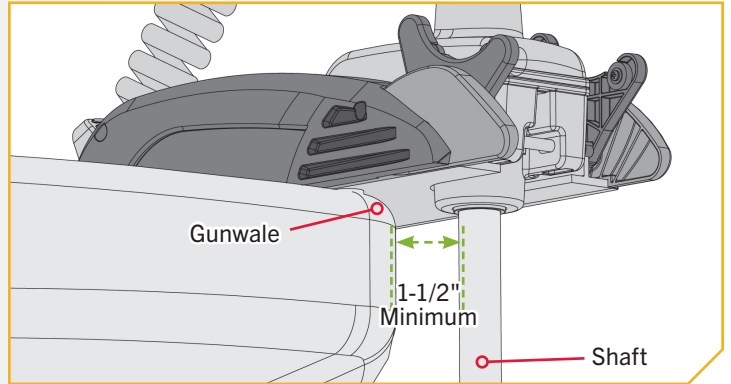
4

ITEM(S) NEEDED

● #4 x 6

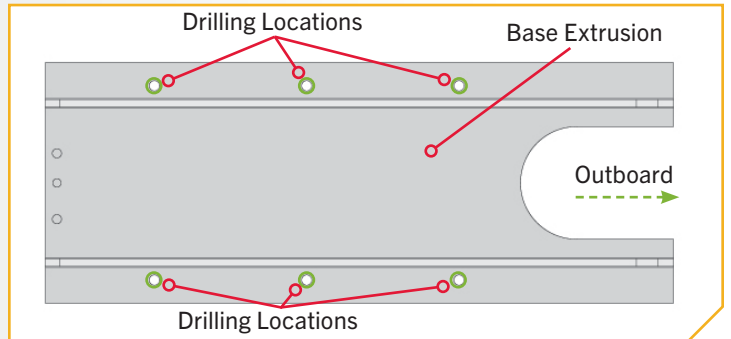
- g. When the motor is in the deployed position, make sure that the Shaft is 1-1/2" out past the Gunwale of the boat. The lower unit, when stowed and deployed must not encounter any obstructions.
- h. Check to be sure that the mount is level. Use the Rubber Washers (Item #4) provided to create a level surface if necessary.

NOTICE: The mounting surface for the Terrova must be flat. Rubber Washers may be used to shim the Base Extrusion flat before hardware is tightened.



5

- i. With the motor at the intended mounting location, take an Awl or similar tool and mark all six mounting holes in the Base Extrusion.
- j. Make sure the area under the mounting location is clear to drill holes and install nuts and washers. Slide the motor aside to drill the mounting holes.
- k. Drill through the boat deck using a Drill and a 9/32" Drill Bit on all six marked locations.



6

ITEM(S) NEEDED

● #2 x 6

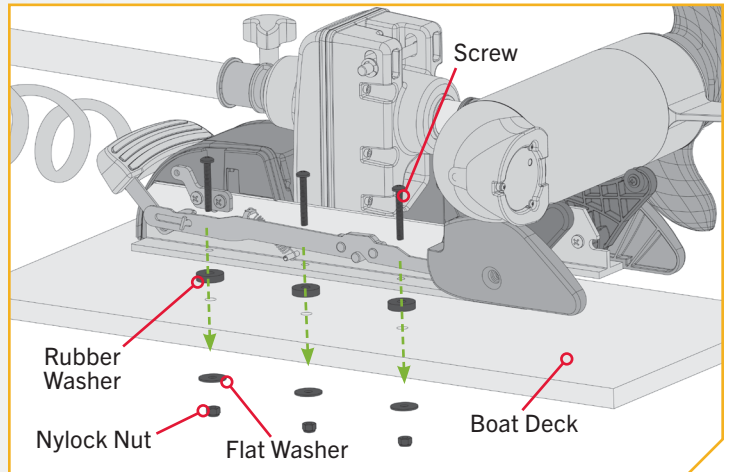
| #1 x 6

○ #3 x 6

● #4 x 6

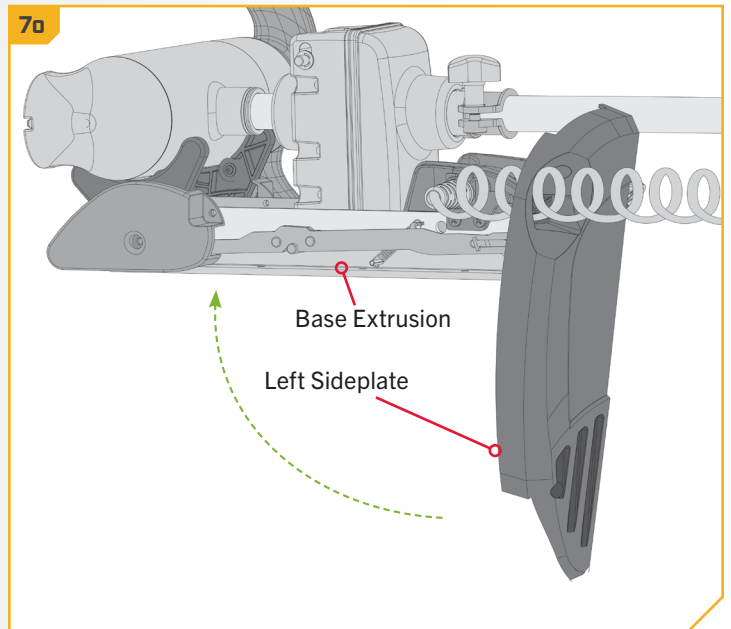
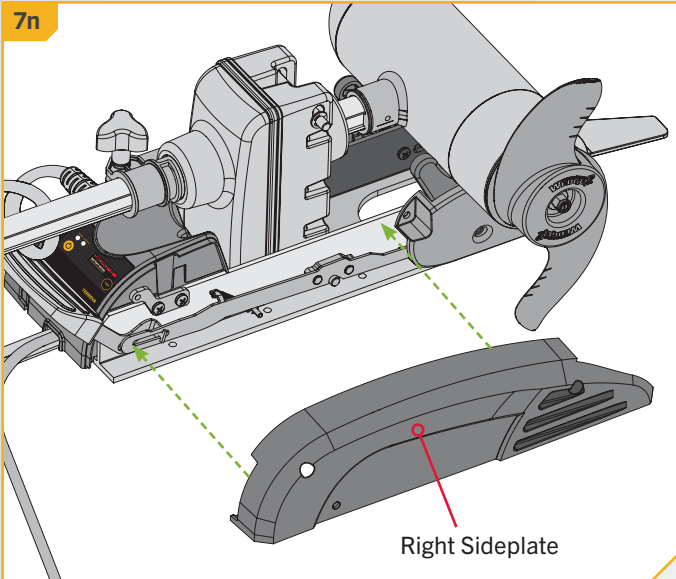
- i. Put a 1/4-20 x 2" (Item #1) Screw into each of the drilled locations. The Screw should pass through the Base Extrusion and the boat deck. If the Rubber Washers (Item #4) are used, they should sit between the Base Extrusion and boat deck. Make sure to secure the motor with screws on each side of the Base Extrusion.
- m. Place a Flat Washer (Item #2) and then a Nylock Nut (Item #3) at the end of each screw and secure with a 7/16" Box End Wrench. Make sure all hardware is secure.

NOTICE: To prevent seizing of the stainless steel hardware, do not use high speed installation tools. Wetting the screws or applying an anti-seize may help prevent seizing.



7

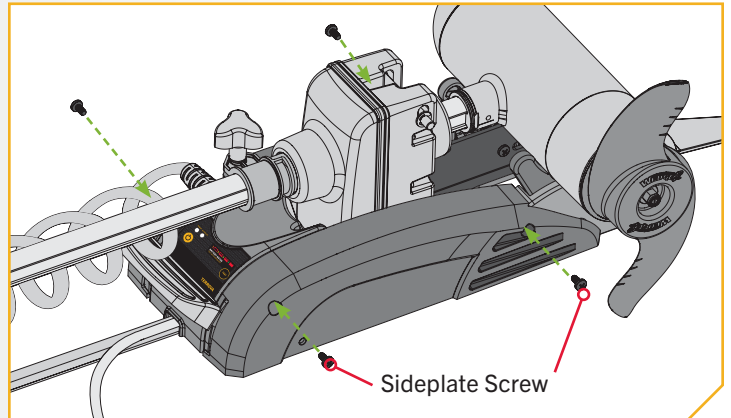
- n. Replace the Right Sideplate.
- o. Swing the Left Sideplate back into its correct position on the Base Extrusion.



POWERING ON THE WIRELESS REMOTE

8

- p. Replace the four sideplate screws using a #3 Phillips Screwdriver. Two of these screws will be located on each side of the mount.



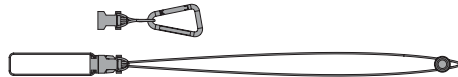
› Powering on the Wireless Remote

1







ITEM(S) NEEDED



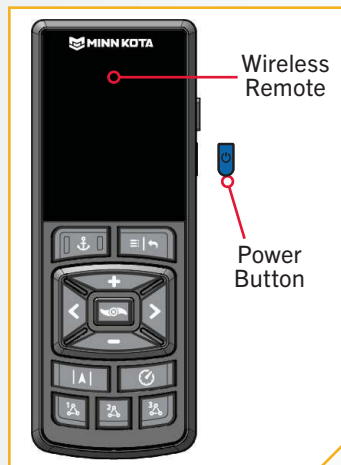
#7 x 1



#6 x 1

- Power on the trolling motor.
- To turn on the Wireless Remote (Item #7), press and hold the Power  button on the side of the Remote.
- A message will appear on the display screen. Read the disclaimer, then press the Steer Right  button to select "I Agree."
- The content on the display screen will populate. Remote functions to manually control the motor are now active, including Speed Up , Speed Down , Steer Left , Steer Right , and Prop On/Off.
- When the Advanced GPS Navigation system has obtained a minimum GPS signal strength of one bar, all remaining functions will become available.

NOTICE: Attaching the Lanyard (Item #6) to the Wireless Remote is optional.



Warning!

You are responsible for the safe and prudent operation of your boat. This product does not relieve you from the responsibility for safe operation of your boat.

I Agree



NOTICE: The Wireless Remote comes from the factory paired to the Terrova.

NOTICE: A Remote Cradle accessory (1866675) can be purchased for mounting the Wireless Remote or attaching the Remote to a belt clip.

INSTALLING THE FOOT PEDAL

Installing the Foot Pedal

1

ITEM(S) NEEDED

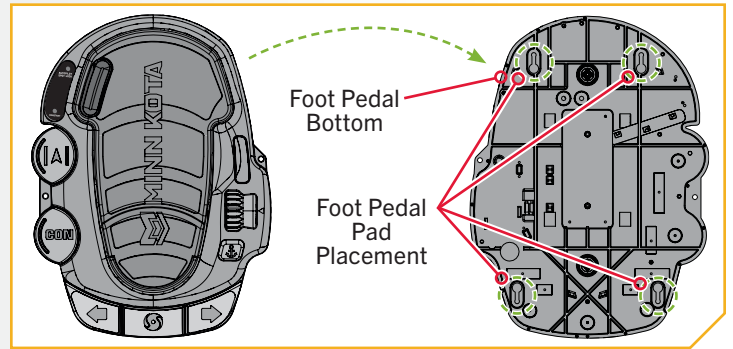
#13 x 4



#EE x 1

- Take the Foot Pedal (Item #EE) and turn it over. Put a Foot Pedal Pad (Item #13) in each of the pad locations.

NOTICE: Adding the Foot Pedal pads is optional. The pads are recommended when using the Foot Pedal on non-carpeted surfaces.

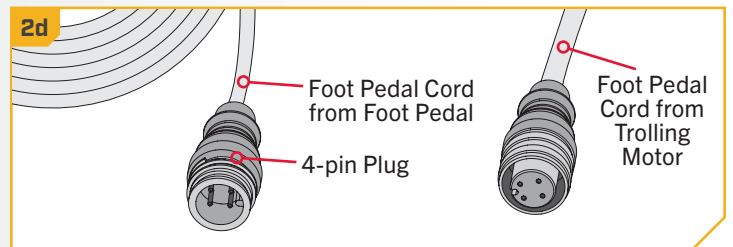
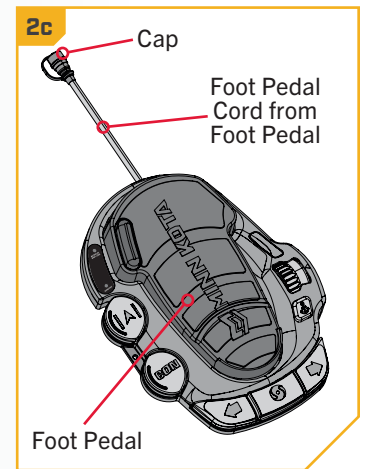
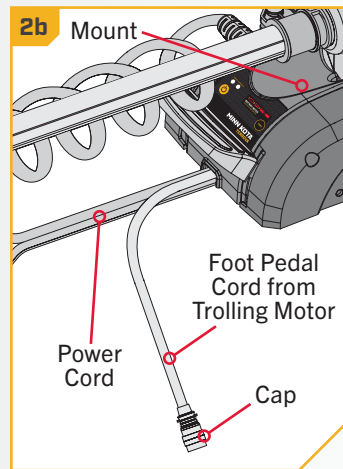


2

- Locate the Foot Pedal Cord that exits the Mount of the trolling motor, next to the Power Cord. Unscrew the Cap on the Plug.
- Locate the 4-pin Plug from the Foot Pedal and unscrew the Cap.
- Align the 4-pin Plug from the Foot Pedal with the Plug on the trolling motor. Firmly push the Plugs together. Secure the connection by rotating the collar on the Foot Pedal Power Cord in a clockwise direction.

NOTICE: The connectors are keyed to prevent reversed installation.

NOTICE: When the Foot Pedal Cord is not in use, ensure that the Cap is on and firmly secured.

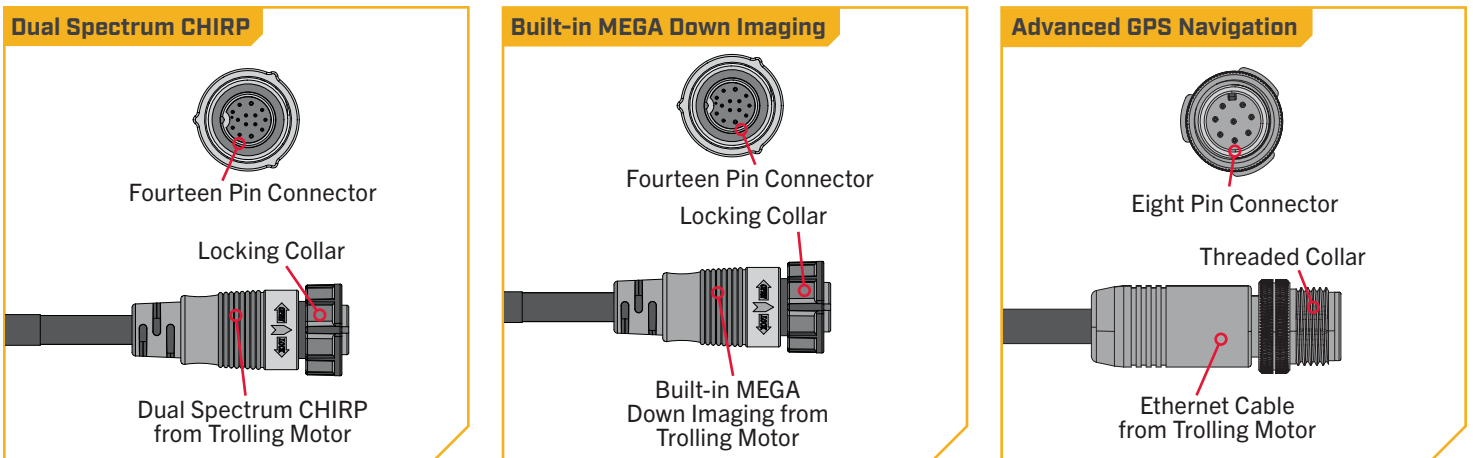


IDENTIFYING TROLLING MOTOR FEATURES AND THEIR ASSOCIATED CABLES

IDENTIFYING TROLLING MOTOR FEATURES AND THEIR ASSOCIATED CABLES

Feature & Cable Identification

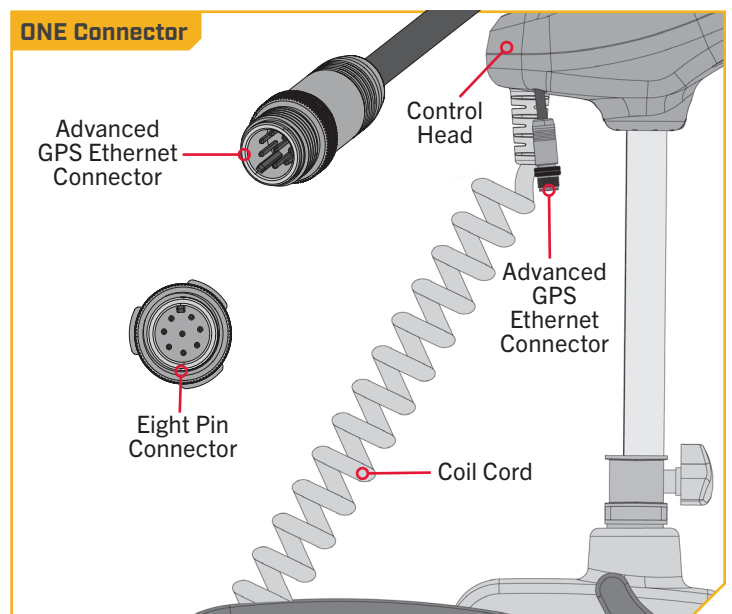
The Terrova is pre-installed with Advanced GPS Navigation - including the ability to connect via Ethernet to a Humminbird unit. It may also be installed with sonar, either Dual Spectrum CHIRP or Built-in MEGA Down Imaging. These features may be installed on their own or in combination with another feature. All of these features require Accessory Cables to be connected to an output device. The connectors are present on the trolling motor and have cables that exit below the Control Head or exit the Coil Cord at the base of the Mount. To better identify Accessory Cables present, refer to the diagrams that detail what the Dual Spectrum CHIRP, Built-in MEGA Down Imaging and Advanced GPS Navigation connectors look like.



Identifying Connectors

If **ONE** connector is present below the Control Head, the trolling motor will be equipped with:

Advanced GPS Navigation - If Advanced GPS Navigation is pre-installed on your trolling motor, one Eight Pin Advanced GPS Ethernet Connector will exit the base of the Control Head and rest just below the Control Head next to the Coil Cord. If the Advanced GPS Navigation on the trolling motor will be used with a fish finder, an Ethernet Cable may be attached to the Advanced GPS Ethernet Connector below the Control Head. See the "Advanced GPS Navigation" section of this document for details on how to install the Advanced GPS Ethernet Connector to a Humminbird. If only one connector is present below the control Head, the motor is not equipped with sonar.

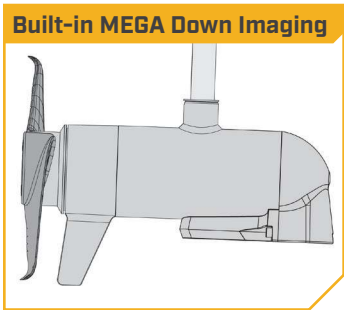
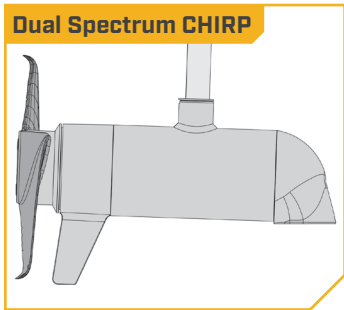
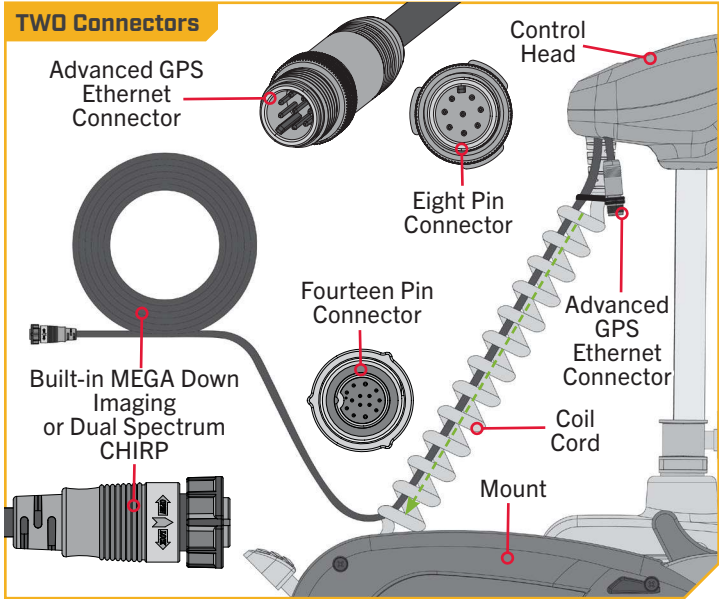


IDENTIFYING CONNECTORS

If **TWO** connectors are present below the Control Head, the trolling motor will be equipped with:

Advanced GPS Navigation & Dual Spectrum CHIRP or Built-in MEGA Down Imaging - If Advanced GPS Navigation is pre-installed on your trolling motor, one Eight Pin Advanced GPS Ethernet Connector will exit the base of the Control Head and rest just below the Control Head next to the Coil Cord. If the Advanced GPS Navigation on the trolling motor will be used with a fish finder, an Ethernet Cable may be attached to the Advanced GPS Ethernet Connector below the Control Head. See the "Advanced GPS Navigation" section of this document for details on how to install the Advanced GPS Ethernet Connector to a Humminbird.

If Dual Spectrum CHIRP or Built-in MEGA Down Imaging is pre-installed on your trolling motor, one Sonar Accessory Cable will exit the base of the Control Head and run down the center of the Coil Cord. The end of the Cable will have a Fourteen Pin Connector. Motors with Dual Spectrum CHIRP or Built-in MEGA Down Imaging will also have a transducer in the Lower Unit. The appearance of the transducer will vary depending on sonar type.



FEATURE & CABLE MANAGEMENT

› Feature & Cable Management

DUAL SPECTRUM CHIRP ›

Your trolling motor may be pre-installed with a transducer system featuring Humminbird's Dual Spectrum CHIRP. CHIRP stands for "Compressed High Intensity Radar Pulse." Dual Spectrum CHIRP is a 2D sonar transducer with a temperature sensor that is integrated into the lower unit of the trolling motor. Humminbird also utilizes a proprietary, best-in-class transducer designed and built to maximize fish detail, as well as coverage area. Dual Spectrum CHIRP scans the water for fish similar to the way the seek function on your truck's radio scans the airwaves for FM stations. By covering a wide range of frequencies, CHIRP produces more accurate, more detailed returns of fish, structure, and the bottom.

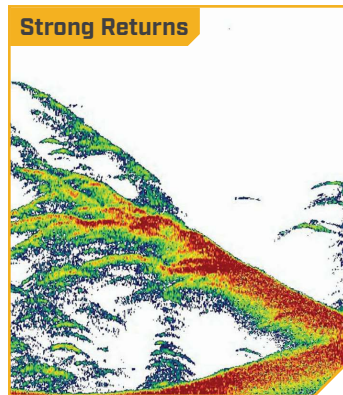
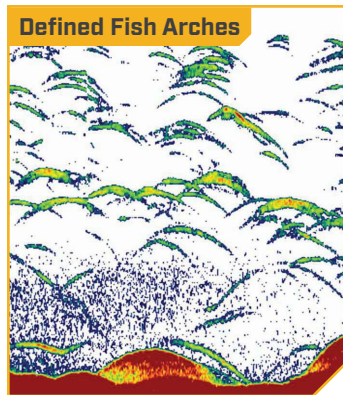
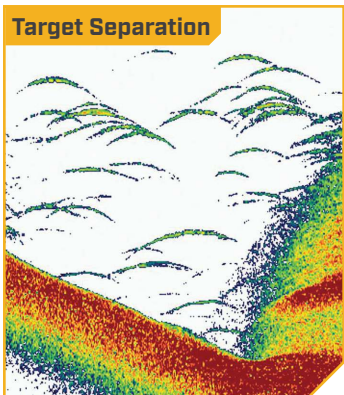
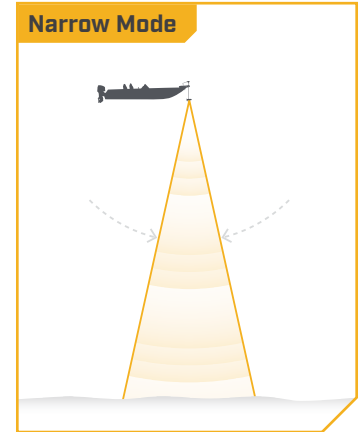
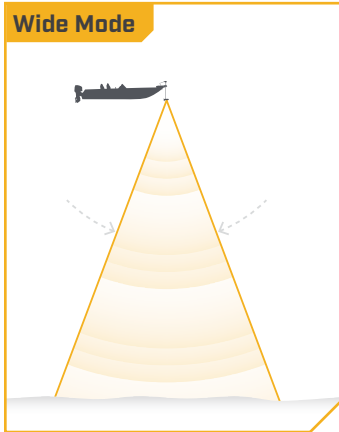
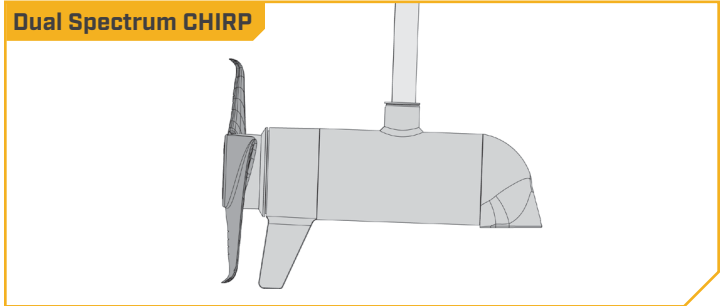
Humminbird's Dual Spectrum CHIRP gives you full spectrum capability, plus the power to select your own start and end frequencies by operating in two different modes. Wide Mode for maximum coverage and Narrow Mode for maximum detail. Wide mode allows you to search deep and wide. Is it used for watching your lure while vertical jigging, or gaining a more expansive view in shallow water. Narrow Mode is used to hone in on the small stuff that makes a big difference. Narrow Mode provides a precise perspective of the water below, helping you target individual fish, or identify fish hidden in structure and/or tight to the bottom.

Dual Spectrum CHIRP features:

SUPERIOR TARGET SEPARATION - Separating fish from their habitat is the name of the game. And now, you'll be able to tell the difference more easily between bait and game fish, and nearby structure and vegetation.

CLEARLY DEFINED FISH ARCHES - We've got bad news for your arch nemesis. Large game fish will show up on your screen as long, well-defined arches, for quick identification and accurate lure presentation.

STRONG RETURNS WITHOUT NOISE - Stop seeing things that aren't there. A high signal-to-noise ratio translates to better defined targets, less clutter and greater certainty that what you're looking at on-screen is legit.



The integrated design of the Dual Spectrum CHIRP transducer protects it in the lower unit of the trolling motor from underwater hazards and prevents tangles and damage to the transducer cables. In certain situations, air bubbles may adhere to the surface of the Dual Spectrum CHIRP transducer and affect the performance. If this happens, simply wipe the surface of the transducer with your finger.

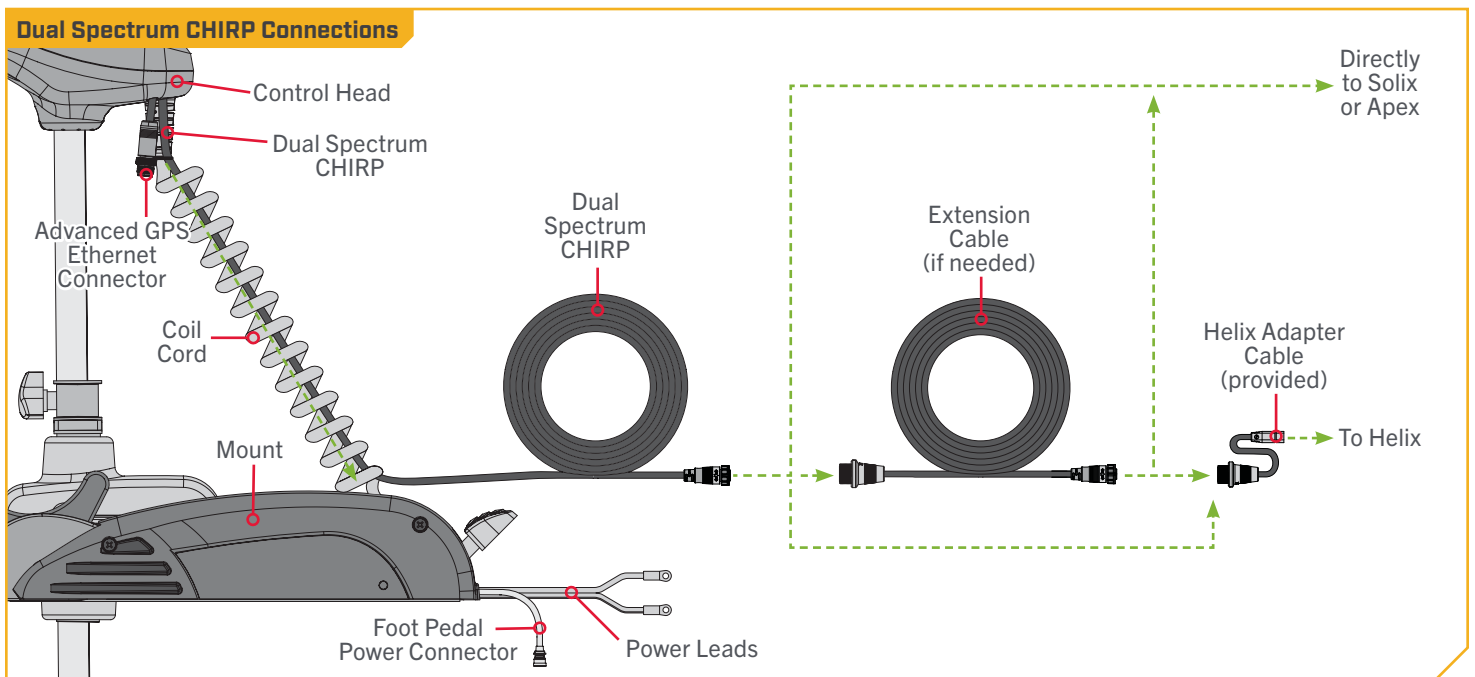
› Considerations for Connecting and Routing Dual Spectrum CHIRP

If Dual Spectrum CHIRP is pre-installed on your trolling motor, one Dual Spectrum CHIRP accessory cable will exit the base of the Control Head and run down the center of the Coil Cord. Dual Spectrum CHIRP requires cables to be connected to an output device such as a Humminbird® fish finder. The Dual Spectrum CHIRP cable that exits the Coil Cord is "Apex and Solix Ready." Connecting the trolling motor equipped with a Dual Spectrum CHIRP transducer to a compatible fish finder gives you a 2D sonar view of what is happening directly below your trolling motor. To determine if your fish finder is compatible with Dual Spectrum CHIRP, please visit minnkota.johnsonoutdoors.com to check compatibility. The Dual Spectrum CHIRP cable from the trolling motor may be plugged directly into a Solix or Apex, directly into an Extension Cable or directly into a Humminbird® Helix Adapter Cable.

EXTENSION CABLES - The Dual Spectrum CHIRP cable from the trolling motor may not be long enough to reach your fish finder. If the cable length does not reach the desired fish finder installation location, extension cables are available. A 10-foot extension cable ([EC M3 14W10 - 10' transducer extension cable - 720106-1](#)) and a 30-foot extension cable ([EC M3 14W30 - 30' transducer extension cable - 720106-2](#)) are available from humminbird.johnsonoutdoors.com. Both the 10-foot and 30-foot extension cables also come "Apex and Solix Ready." The Extension Cables may plug directly into a Solix or Apex or directly into a Helix Adapter Cable.

HUMMINBIRD HELIX ADAPTER CABLES - If connecting to a Humminbird® Helix fish finder, an adapter cable accessory is included that will allow the connection of any compatible Humminbird® Helix fish finder. The Helix adapter cable will plug directly into the Helix fish finder.

OTHER FISH FINDER ADAPTER CABLES - If connecting to other fish finders on the market, check for compatibility or any required adapter cables online at minnkota.johnsonoutdoors.com.



DUAL SPECTRUM CHIRP

All Dual Spectrum CHIRP Terrova motors are equipped with an internal bonding wire. Incorrect rigging will cause sonar interference and can damage your trolling motor, electronics, and other boat accessories. To minimize trolling motor interference, ensure that the fish finder and trolling motor are powered by separate batteries. Please refer to the "Battery & Wiring Installation" section of this manual for correct rigging instructions. Review the "Motor Wiring Diagram" section in the Terrova Owner's Manual, available online at minnkota.johnsonoutdoors.com.

The Dual Spectrum CHIRP cables are shielded to minimize interference. To protect this shielding, the cables should not be pulled tight against sharp angles or hard objects. If using cable ties, do not over-tighten. Any excess cable should be bundled in a loose loop of no less than 4" in diameter. The connection cable should be routed to the fish finder following Minn Kota recommendations on routing the cables to optimize mobility and maximize functionality. Follow the instructions below for completing all connections and then follow the instructions for "Securing Accessory Cables" to complete the output cable installation.

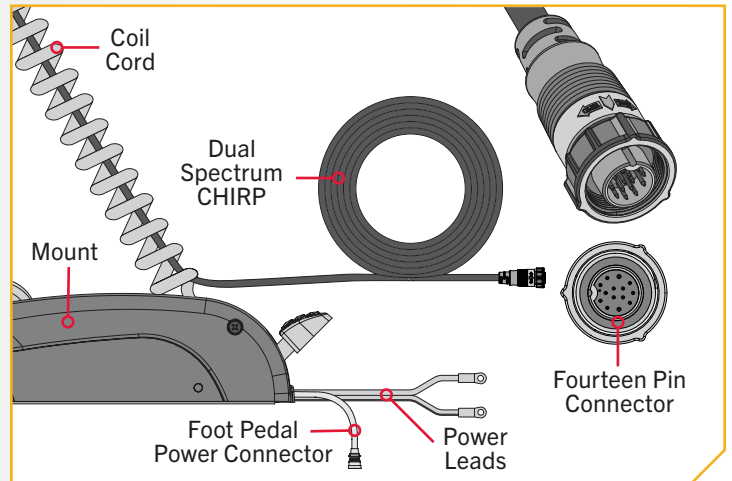
CAUTION

Failure to follow the recommended wire routing for installed features, if equipped, may cause damage to the product and void your product warranty. Route cables away from pinch points or other areas that may cause them to bend in sharp angles. Routing the cables in any way other than directed may cause damage to the cables by being pinched or severed. Do not over-tighten the cable ties as it may damage the wires.

1

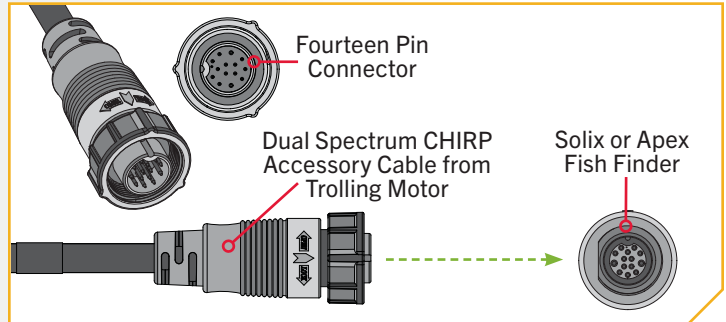
NOTICE: Your fish finder should be turned off until this procedure is complete.

- a. Place the motor in the deployed position.
- b. Locate the Fourteen Pin Connector on the end of the Dual Spectrum CHIRP accessory cable. The cable will exit the base of the Control Head and run down the center of the Coil Cord.
- c. Determine if the Plug on the end of the Dual Spectrum CHIRP accessory cable will be attached directly to:
 - 1) a Humminbird® Solix or Apex fish finder,
 - 2) a Dual Spectrum CHIRP Extension Cable,
 - 3) a Helix Adapter Cable or a compatible fish finder adapter cable.



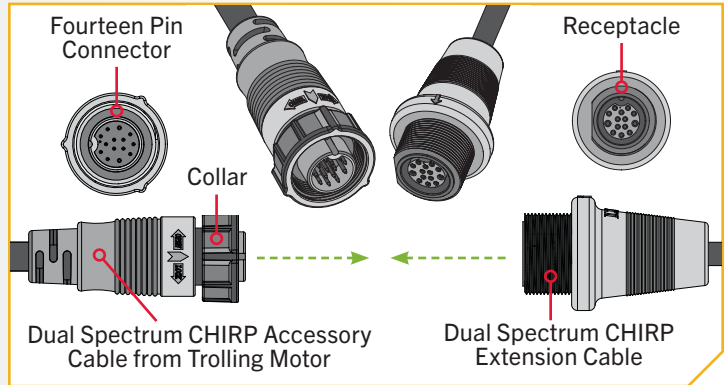
2

- d. If installing directly to a Solix or Apex, the connection will be flat on the back of the fish finder display.
- e. Align the pins on the Accessory Cable with the receptacle on the fish finder. Notice the keyed connectors. Tighten the Collar from the accessory cable to secure the connection. Once directly installed to the Solix or Apex, the connection is complete.



3

- f. If installing directly to a Dual Spectrum CHIRP Extension Cable, align the pins on the accessory cable with the receptacle on the extension cable. Notice the keyed connectors. Tighten the Collar from the accessory cable to secure the connection.
- g. If the Dual Spectrum CHIRP extension cable will be attached directly to a Humminbird® Solix or Apex, the connection will look exactly like the installation directly into a Humminbird Solix or Apex fish finder.



NOTICE: A 10-foot extension cable (EC M3 14W10 - 10' transducer extension cable - 720106-1) and a 30-foot extension cable (EC M3 14W30 - 30' transducer extension cable - 720106-2) are available from humminbird.johnsonoutdoors.com.

DUAL SPECTRUM CHIRP

4

ITEM(S) NEEDED

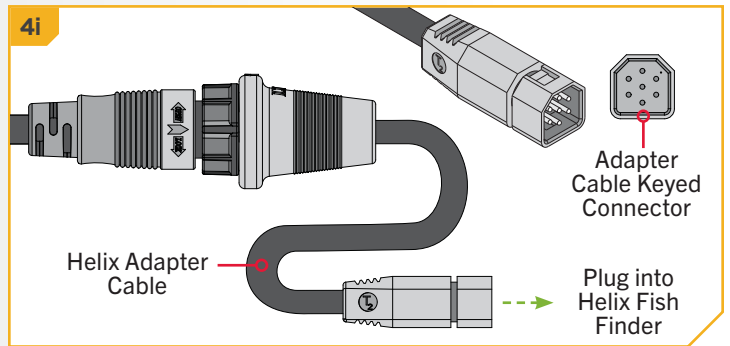
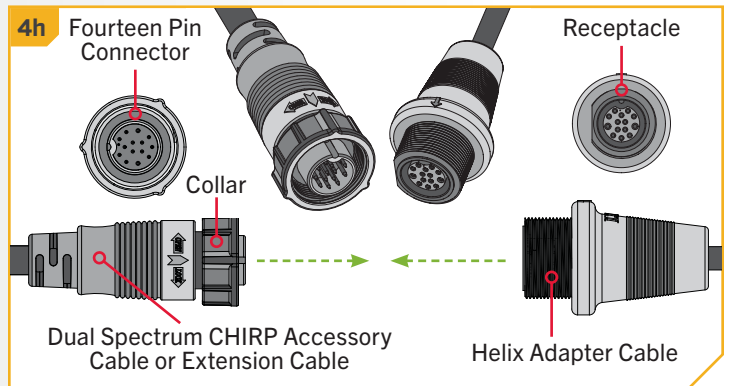


- h. If installing directly to a Helix Adapter Cable, align the pins on the accessory cable or extension cable with the receptacle on the Helix Adapter Cable (Item #17). Notice the keyed connectors. Tighten the Collar from the accessory cable or extension cable to secure the connection.
- i. If the Helix Adapter Cable will be attached directly to a Humminbird® Helix, plug it in the Helix Adapter Cable Keyed Connection on the back of the fish finder.

NOTICE: If connecting to other fish finders on the market, check for compatibility or any required adapter cables online at minnkota.johnsonoutdoors.com.

- j. If the trolling motor has more than one external connector for an output device, complete the connection for that specific output and then follow the instructions for "Securing Accessory Cables" to complete the output cable installation.

NOTICE: If unsure of what features the trolling motor may be installed with that require connection to an output device, please review the "Identifying Trolling Motor Features and Their Associated Cables" section of this manual.



BUILT-IN MEGA DOWN IMAGING >

Built-in MEGA Down Imaging delivers nearly 3X the output of standard Side Imaging®, and takes fishfinding into the megahertz frequency for the very first time. It uses a razor-thin, high-frequency beam to create picture-like images of structure, vegetation and fish. With Humminbird MEGA imaging sonar built right into the trolling motor, you now have a crystal clear view of what's directly beneath the boat, without having to manage all of the cables that come with external transducers. The Built-in MEGA DI transducer is only available on new models equipped from the factory and cannot be added to an existing trolling motor.

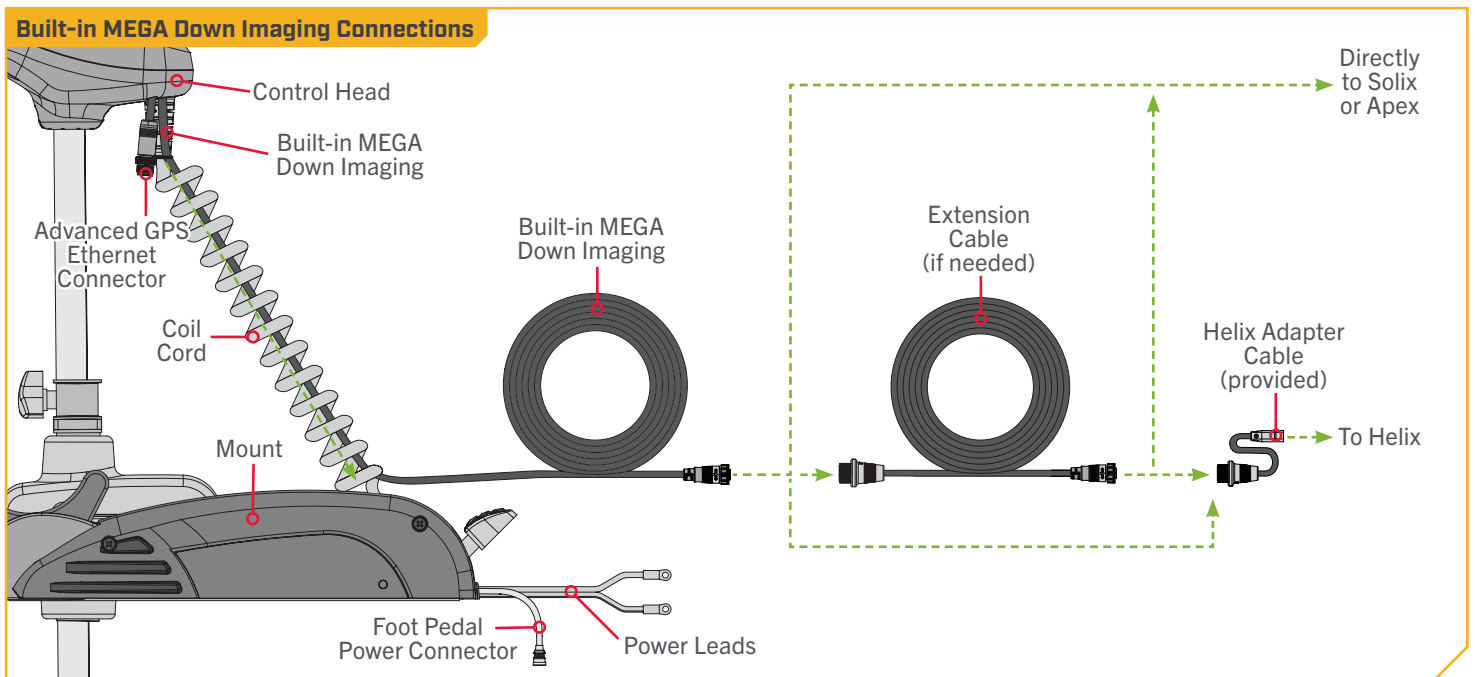
> Considerations for Connecting and Routing Built-in MEGA Down Imaging

If Built-in MEGA Down Imaging is pre-installed on your trolling motor, one Built-in MEGA Down Imaging accessory cable will exit the base of the Control Head and run down the center of the Coil Cord. Built-in MEGA Down Imaging requires cables to be connected to an output device such as a Humminbird® fish finder. The Built-in MEGA Down Imaging cable that exits the Coil Cord is "Apex and Solix Ready." Connecting the trolling motor equipped with a Built-in MEGA Down Imaging transducer to a compatible fish finder gives you a 2D sonar view of what is happening directly below your trolling motor. To determine if your fish finder is compatible with Built-in MEGA Down Imaging, please visit minnkota.johnsonoutdoors.com to check compatibility. The Built-in MEGA Down Imaging cable from the trolling motor may be plugged directly into a Solix or Apex, directly into an Extension Cable or directly into a Humminbird® Helix Adapter Cable.

EXTENSION CABLES - The Built-in MEGA Down Imaging cable from the trolling motor may not be long enough to reach your fish finder. If the cable length does not reach the desired fish finder installation location, extension cables are available. A 10-foot extension cable ([EC M3 14W10 - 10' transducer extension cable - 720106-1](#)) and a 30-foot extension cable ([EC M3 14W30 - 30' transducer extension cable - 720106-2](#)) are available from humminbird.johnsonoutdoors.com. Both the 10-foot and 30-foot extension cables also come "Apex and Solix Ready." The Extension Cables may plug directly into a Solix or Apex or directly into a Helix Adapter Cable.

HUMMINBIRD HELIX ADAPTER CABLES - If connecting to a Humminbird® Helix fish finder, an adapter cable accessory is included that will allow the connection of any compatible Humminbird® Helix fish finder. The Helix adapter cable will plug directly into the Helix fish finder.

OTHER FISH FINDER ADAPTER CABLES - If connecting to other fish finders on the market, check for compatibility or any required adapter cables online at minnkota.johnsonoutdoors.com.



BUILT-IN MEGA DOWN IMAGING

CAUTION

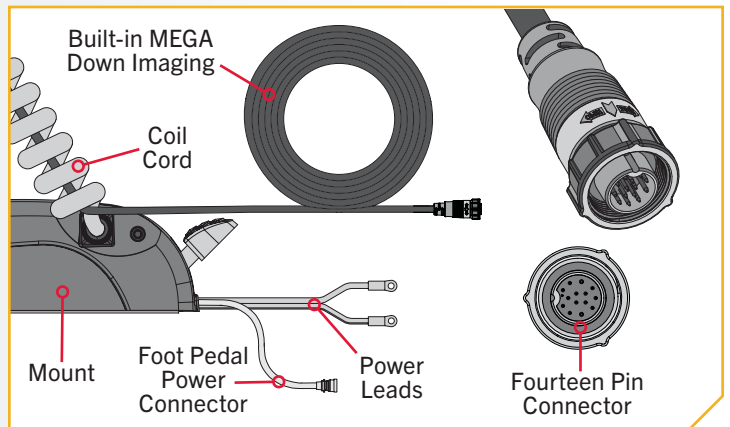
Failure to follow the recommended wire routing for installed features, if equipped, may cause damage to the product and void your product warranty. Route cables away from pinch points or other areas that may cause them to bend in sharp angles. Routing the cables in any way other than directed may cause damage to the cables by being pinched or severed. Do not over-tighten the cable ties as it may damage the wires.

NOTICE: You can only view Down Imaging with a MEGA DI or MEGA SI HELIX G2N, G3N or G4N Series model and a required adapter, or with any SOLIX or APEX Series model. The built-in transducer cannot supply MEGA Imaging to Humminbird models that do not already have the capability. If you have a G2/G2N, G3/G3N, G4/G4N HELIX that is not a MEGA SI or MEGA DI model, you will still get 2D Dual Spectrum CHIRP Sonar from the transducer. SOLIX G1 and HELIX G2 and G2N units need to be running the latest software update to view sonar from motors with Built-In MEGA Imaging. You can get the latest version of software for your fish finder on humminbird.johnsonoutdoors.com. Built-In MEGA Imaging is not supported by HELIX G1 models or other brands of fish finders.

1

NOTICE: Your fish finder should be turned off until this procedure is complete.

- a. Place the motor in the deployed position.
- b. Locate the Fourteen Pin Connector on the end of the Built-in MEGA Down Imaging accessory cable. The cable will exit the base of the Control Head and run down the center of the Coil Cord.
- c. Determine if the Plug on the end of the Built-in MEGA Down Imaging Cable accessory cable will be attached directly to:
 - 1) a Humminbird® Solix or Apex fish finder,
 - 2) a Built-in MEGA Down Imaging Extension Cable,
 - 3) a Helix Adapter Cable or a compatible fish finder adapter cable.

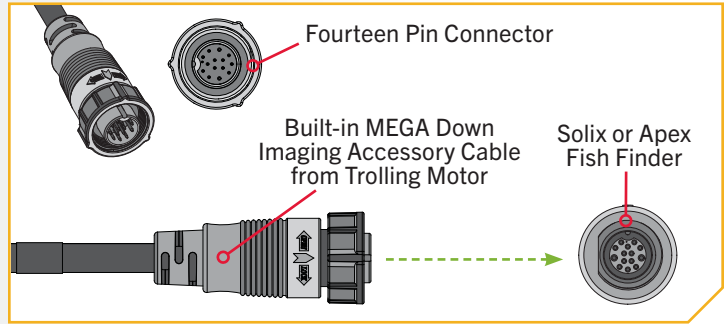


BUILT-IN MEGA DOWN IMAGING



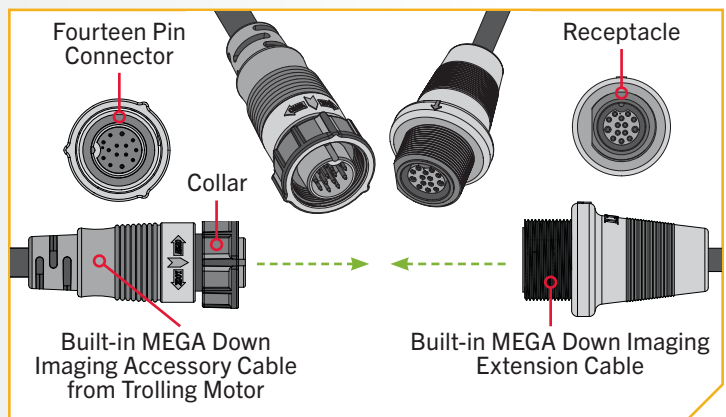
2

- d. If installing directly to a Solix or Apex, the connection will be flat on the back of the fish finder display.
- e. Align the pins on the Accessory Cable with the receptacle on the fish finder. Notice the keyed connections. Tighten the Collar from the accessory cable to secure the connection. Once directly installed to the Solix or Apex, the connection is complete.



3

- f. If installing directly to a Built-in MEGA Down Imaging Extension Cable, align the pins on the accessory cable with the receptacle on the extension cable. Notice the keyed connectors. Tighten the Collar from the accessory cable to secure the connection.
- g. If the Built-in MEGA Down Imaging Extension Cable will be attached directly to a Humminbird® Solix or Apex, the connection will look exactly like the installation directly into a Humminbird Solix or Apex fish finder.



NOTICE: A 10-foot extension cable (EC M3 14W10 - 10' transducer extension cable - 720106-1) and a 30-foot extension cable (EC M3 14W30 - 30' transducer extension cable - 720106-2) are available from humminbird.johnsonoutdoors.com.



BUILT-IN MEGA DOWN IMAGING

4

ITEM(S) NEEDED

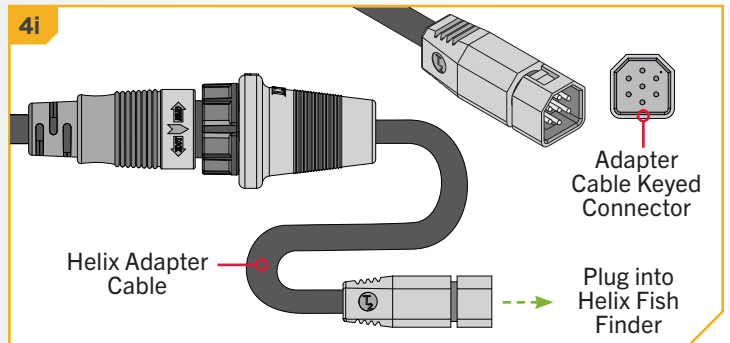
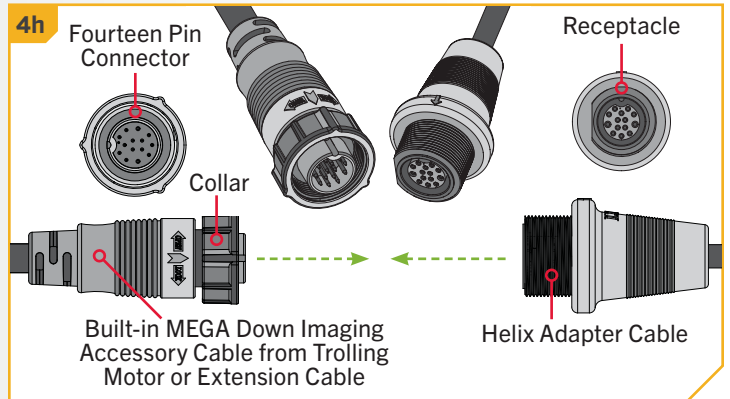


- h. If installing directly to a Helix Adapter Cable, align the pins on the accessory cable or extension cable with the receptacle on the Helix Adapter Cable (Item #17). Notice the keyed connectors. Tighten the Collar from the accessory cable or extension cable to secure the connection.
- i. If the Helix Adapter Cable will be attached directly to a Humminbird® Helix, plug it in the Helix Adapter Cable Keyed Connection on the back of the fish finder.

NOTICE: If connecting to other fish finders on the market, check for compatibility or any required adapter cables online at minnkota.johnsonoutdoors.com.

- j. If the trolling motor has more than one external connector for an output device, complete the connection for that specific output and then follow the instructions for "Securing Accessory Cables" to complete the output cable installation.

NOTICE: If unsure of what features the trolling motor may be installed with that require connection to an output device, please review the "Identifying Trolling Motor Features and Their Associated Cables" section of this manual.



ADVANCED GPS NAVIGATION >

Your Minn Kota trolling motor and Humminbird fish finder communicate with each other to change the way you fish. Advanced GPS Navigation offers a large array of features including controlling speed, steering, Spot-Lock, and the ability to record and retrace paths on the water, all at your fingertips. To learn more about the GPS capabilities available with your new motor, please refer to the Advanced GPS Navigation Owner's Manual by visiting minnkota.johnsonoutdoors.com.

The wireless remote and GPS controller make up the Advanced GPS Navigation system. A wireless remote comes paired to the controller from the factory. The GPS controller contains a very sensitive compass and is where all GPS satellite and remote signals are received. The GPS controller is located in the trolling motor Control Head and may be connected to a fish finder from a connection cable that exits the Control Head. If the Advanced GPS Navigation system will be used with a fish finder, the Ethernet link between the trolling motor and the fish finder should be connected.

> Considerations for Connecting and Routing Advanced GPS Navigation

If Advanced GPS Navigation is pre-installed on your trolling motor, one eight pin Advanced GPS Ethernet Connector will exit the base of the Control Head and dangle just below the Control Head next to the Coil Cord. If the Advanced GPS Navigation on the trolling motor will be used with a fish finder, an Ethernet Cable will need to be attached to the Advanced GPS Ethernet Connector below the Control Head. Consider the distance between the trolling motor and the fish finder to determine how to complete the Ethernet connection.

ETHERNET CABLES - Minn Kota provides one 30 ft Ethernet cable (**AS EC 30E - 30' Ethernet Cable - 720073-4**) with every trolling motor equipped with Advanced GPS Navigation. The 30 ft Ethernet cable will accommodate a standard Ethernet connection for most installations to a Humminbird fish finder and is "Apex and Solix Ready". If the distance between the trolling motor and Humminbird fish finder is relatively small and a shorter cable is preferred, alternate cable lengths are available from humminbird.johnsonoutdoors.com. These options include:

- 10 ft - (**AS EC 10E - 10' Ethernet Cable - 720073-2**)
- 15 ft - (**AS EC 15E - 15' Ethernet Cable - 720073-5**)
- 20 ft - (**AS EC 20E - 20' Ethernet Cable - 720073-3**)

Every length of Ethernet cable plugs directly into a Solix or Apex or directly into a Helix Adapter Cable.

HUMMINBIRD HELIX ADAPTER CABLES - Minn Kota provides one Helix Adapter Cable (**AS EC QDE - Ethernet Adapter Cable - 720074-1**) with every trolling motor equipped with Advanced GPS Navigation. If the Ethernet connection is being made between the trolling motor and any Humminbird® Helix fish finder, the Helix Adapter Cable should be used. The Helix Adapter Cable directly connects the Ethernet Cable to a Helix fish finder.

ETHERNET EXTENSION CABLES - If the 30 ft Ethernet cable provided with your trolling motor with Advanced GPS Navigation is not long enough to reach the fish finder, an Ethernet Extension cable should be used. The Ethernet Extension cable is available from humminbird.johnsonoutdoors.com and is available in a 30 ft length (**AS ECX 30E - 30' Ethernet Extension Cable - 760025-1**). The Ethernet Extension Cable will plug directly into any length of Ethernet cable.

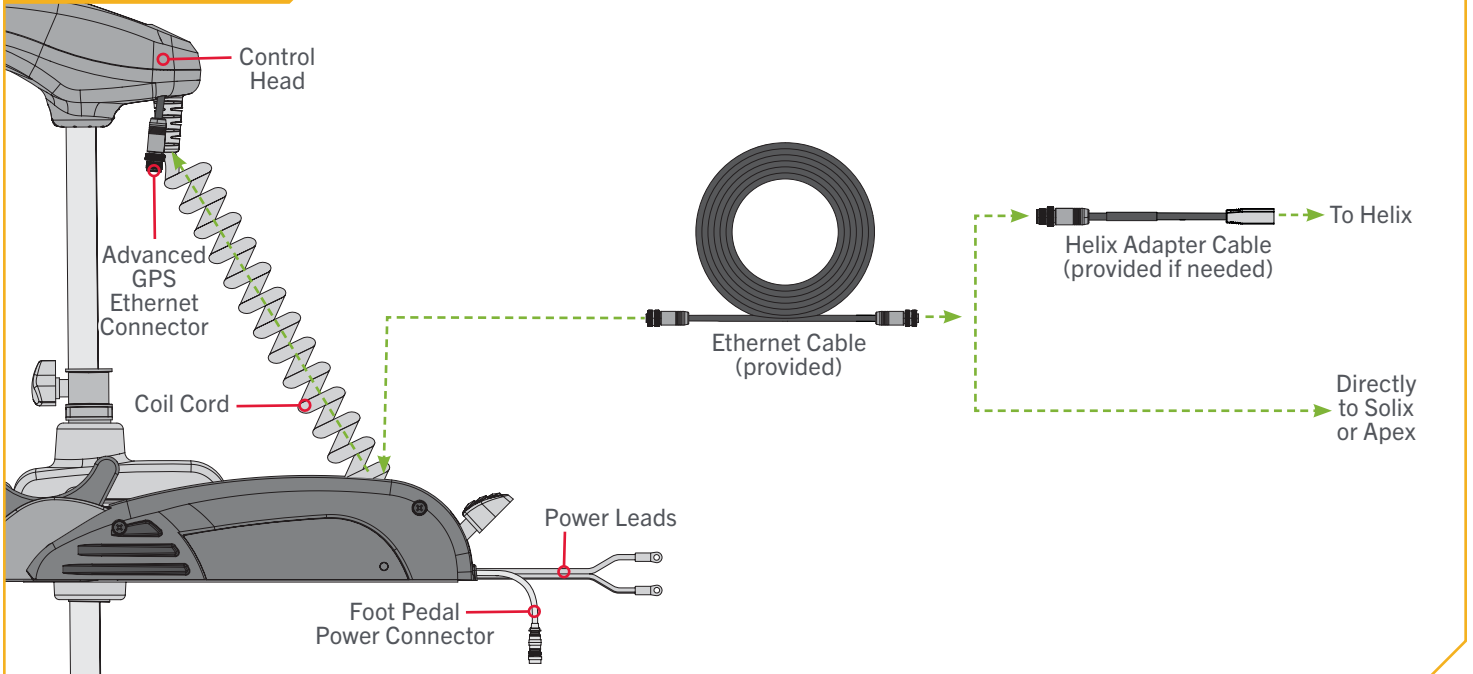
NOTICE: Minn Kota recommends routing the Ethernet Cable or Ethernet Extension Cable through the Coil Cord when making the Ethernet connection. The cables will be installed from the Mount to the Control Head through the Coil Cord and parallel to any Dual Spectrum CHIRP or Built-in MEGA Down Imaging Cable. Bypassing the Coil Cord when routing the Ethernet Cable or Ethernet Extension Cable is not recommended.

CAUTION

Failure to follow the recommended wire routing for installed features, if equipped, may cause damage to the product and void your product warranty. Route cables away from pinch points or other areas that may cause them to bend in sharp angles. Routing the cables in any way other than directed may cause damage to the cables by being pinched or severed. Do not over-tighten cable ties as it may damage the wires.

ADVANCED GPS NAVIGATION

GPS Ethernet Connection

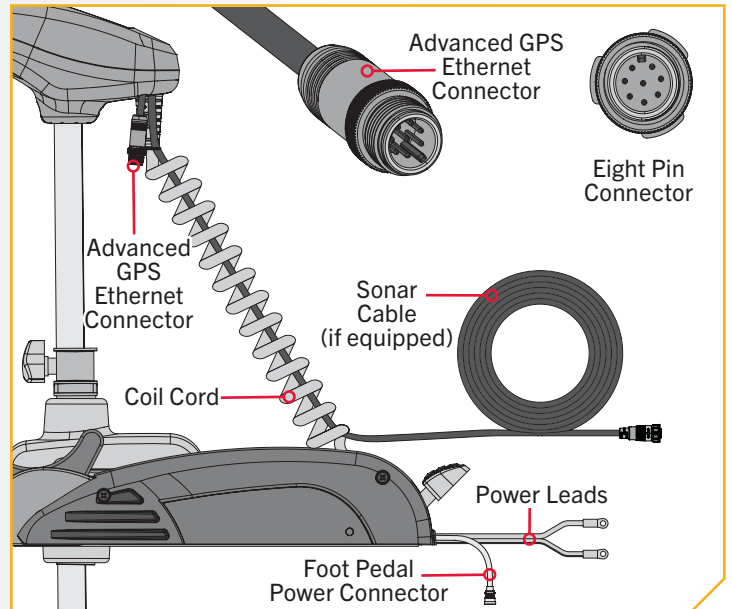


1

NOTICE: Your fish finder should be turned off until this procedure is complete.

- a. Place the motor in the deployed position.
- b. Locate the Eight Pin Advanced GPS Ethernet Connector below the Control Head. The Advanced GPS Ethernet Connector will exit the base of the Control Head and will rest just below the Control Head next to the Coil Cord.

NOTICE: Terrova trolling motors with Advanced GPS Navigation may also be equipped with Sonar. Sonar is pre-installed from the factory and may be either Dual Spectrum CHIRP or Built-in MEGA Down Imaging. If equipped with Sonar, a Sonar Cable will be present below the Control Head and run through the center of the Coil Cord. Review the “Identifying Trolling Motor Features and Their Associated Cables” section of this document to identify and learn more about Sonar.



2

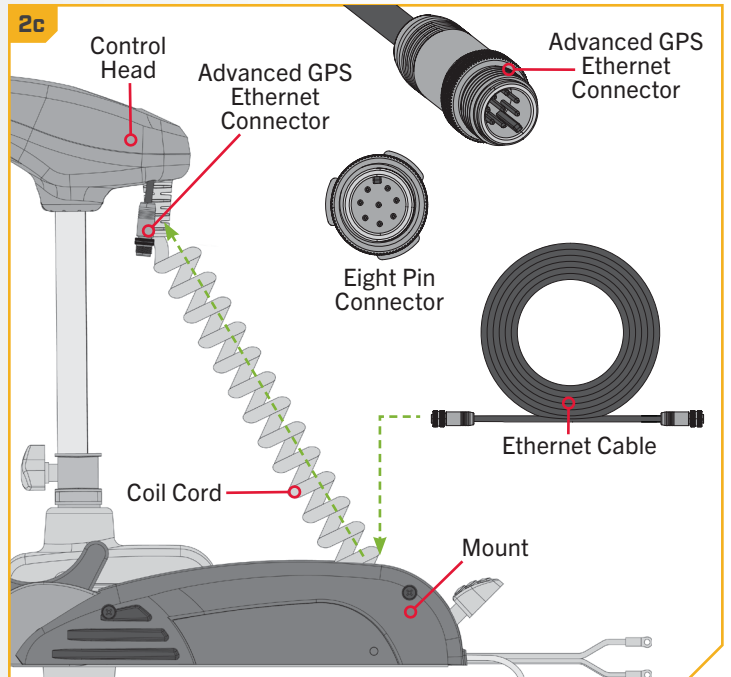
ITEM(S) NEEDED



- c. Identify the keyed Receptacle on the Ethernet Cable (Item #14). It will be keyed to fit with the Eight Pin Advanced GPS Ethernet Connector below the Control Head.

NOTICE: The Ethernet Cable has a Receptacle for the Advanced GPS Ethernet Connector on both ends. Either end may be connected.

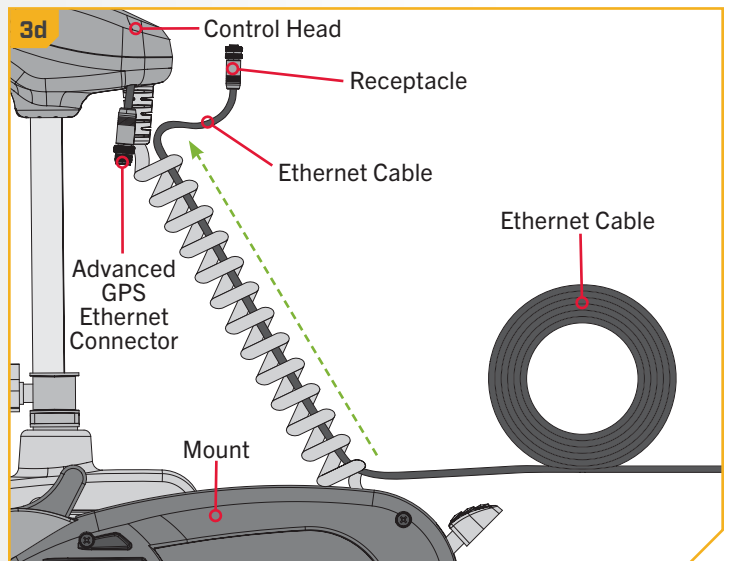
NOTICE: The 30' Ethernet Cable (AS EC 30E - 30' Ethernet Cable - 720073-4) is provided. Alternate cable lengths are available from humminbird.johnsonoutdoors.com.



3

- d. If **NO Sonar is present**, take the Receptacle on the Ethernet Cable and run it through the center of the Coil Cord, starting at the end of the Coil Cord attached to the Mount and working up towards the Control Head. Allow enough slack in the cable to attach the Receptacle to the Advanced GPS Ethernet Connector.

NOTICE: Minn Kota recommends routing the Ethernet Cable through the Coil Cord when making the Ethernet connection. Bypassing the Coil Cord when routing the Ethernet Cable is not recommended.

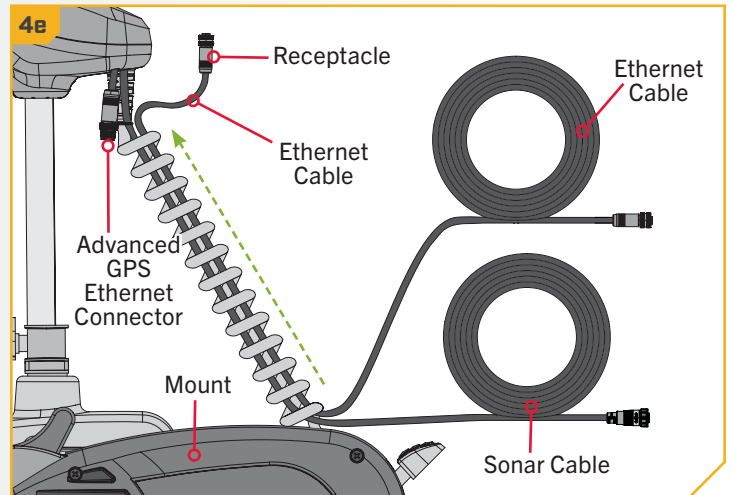


ADVANCED GPS NAVIGATION

4

- e. If Sonar is present, take the Receptacle on the Ethernet Cable and run it through the center of the Coil Cord, starting at the end of the Coil Cord attached to the Mount and working up towards the Control Head. The Ethernet Cable should be parallel to the Sonar Cable. Allow enough slack in the cable to attach the Receptacle to the Advanced GPS Ethernet Connector.

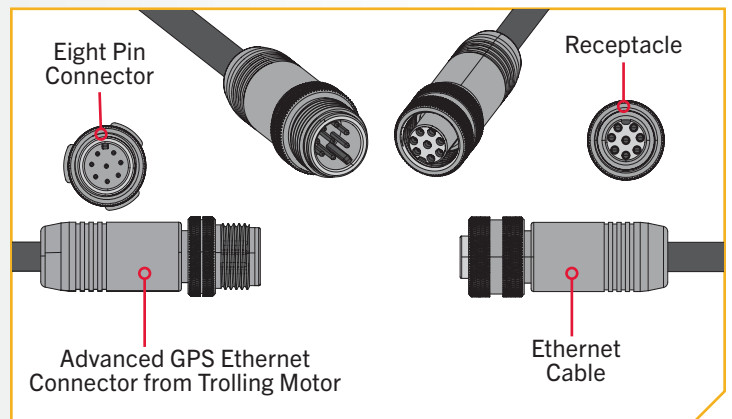
NOTICE: Minn Kota recommends routing the Ethernet Cable through the Coil Cord when making the Ethernet connection. The cable will be installed from the Mount to the Control Head through the Coil Cord and parallel to the Sonar Cable. Bypassing the Coil Cord when routing the Ethernet Cable is not recommended.



5

- f. To install the Ethernet Cable, align the pins on the Advanced GPS Ethernet Connector with the Receptacle on the Ethernet Cable. Notice the keyed connectors. Tighten the Collar from the Ethernet Cable to secure the connection.
- g. The Ethernet Cable will plug directly into a Solix or Helix Fish Finder or directly into a Helix Adapter Cable.
- h. If the trolling motor has more than one feature that requires connection to an output device, complete the connection for that specific output and then follow the instructions for "Securing Accessory Cables" to complete the Accessory Cable installation.

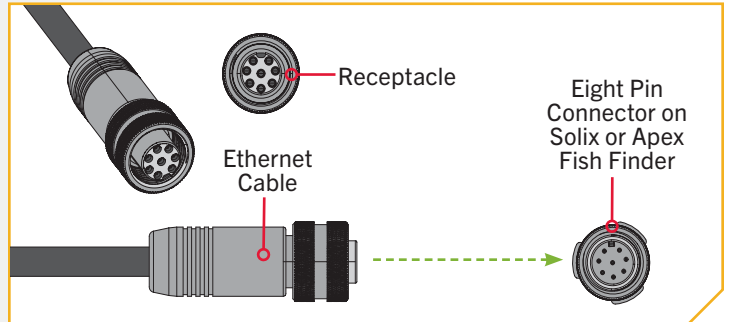
NOTICE: If unsure of what features the trolling motor may be installed with that require connection to an output device, please review the "Identifying Trolling Motor Features and Their Associated Cables" section of this manual.



NOTICE: A 30' Ethernet Extension Cable (AS ECX 30E - 30' Ethernet Extension Cable - 760025-1) is available from humminbird.johnsonoutdoors.com and should be used if the standard 30' Ethernet Cable provided with the trolling motor is not long enough to reach the fish finder.

6

- i. If installing directly to a Solix or Apex, the connector will be flat on the back of the fish finder display.
- j. Align the Receptacle on the Ethernet Cable with the Eight Pin Connector on the Apex or Solix fish finder. Notice the keyed connectors. Tighten the Collar from the Ethernet Cable to secure the connection. Once directly installed to the Solix or Apex, the connection is complete.



7

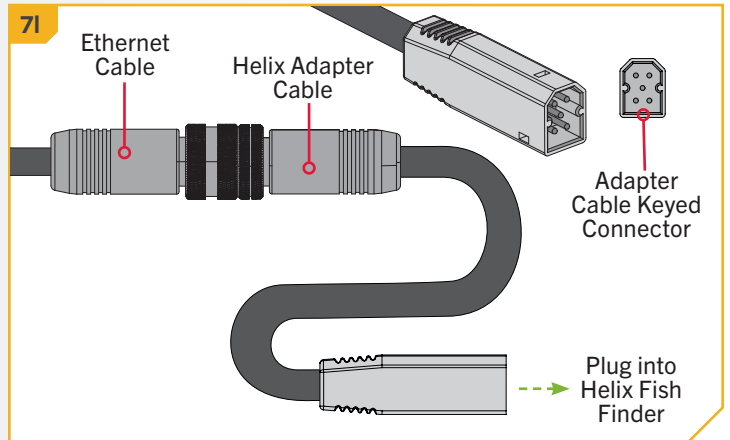
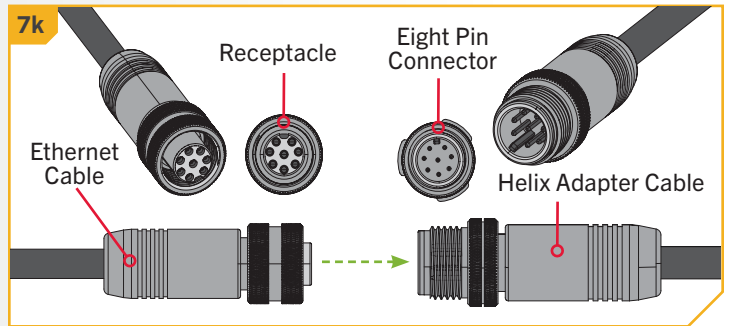
ITEM(S) NEEDED



- k. If installing directly to a Helix Adapter Cable (Item #15), align the Receptacle on the Ethernet Cable with the Eight Pin Connector on the Helix Adapter Cable provided. Notice the keyed connectors. Tighten the Collar from the Ethernet Cable to secure the connection.

NOTICE: Minn Kota provides one Helix Adapter Cable (AS EC QDE - Ethernet Adapter Cable - 720074-1) with every trolling motor equipped with Advanced GPS Navigation.

- l. The Helix Adapter Cable directly connects the Ethernet Cable to a Helix fish finder. Locate the Helix Adapter Cable Keyed Connector on the back of the fish finder. Plug the Helix Adapter Cable into the back of the Helix fish finder to complete the connection.

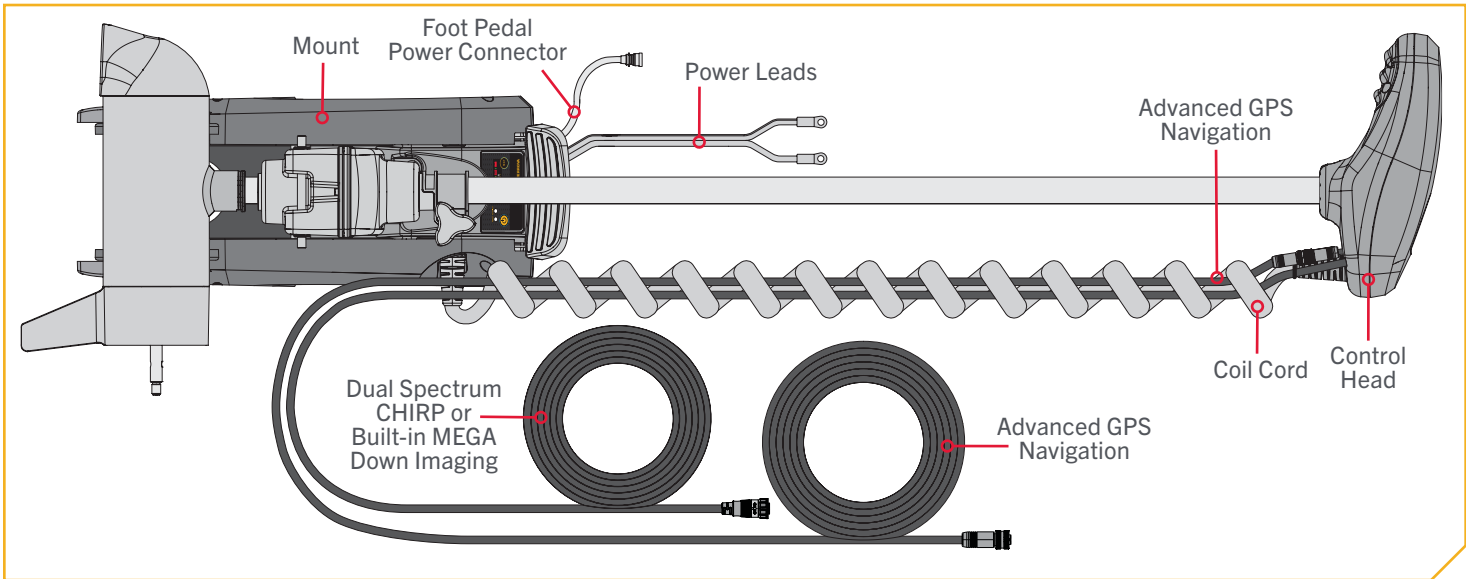


SECURING ACCESSORY CABLES

› Securing Accessory Cables

Before securing the cables, please review the "Identifying Trolling Motor Features and Their Associated Cables" section of this document. When identifying features, it is very important to secure the cables if **two** connections are present below the Control Head. If only one cable is present below the Control Head, securing the Accessory Cables is not necessary. All Accessory Cables that will be used on the trolling motor must be routed and all connections secured before completing the installation in this section. To review how feature cables should be routed and connected, please review the "Advanced GPS Navigation" and "Dual Spectrum CHIRP" or "Built-in MEGA Down Imaging" sections of this document.

NOTICE: If only one cable is present below the Control Head, this installation is not applicable.



⚠ CAUTION

Failure to follow the recommended wire routing for installed features, if equipped, may cause damage to the product and void your product warranty. Route cables away from pinch points or other areas that may cause them to bend in sharp angles. Routing the cables in any way other than directed may cause damage to the cables by being pinched or severed. Do not over-tighten the cable ties as it may damage the wires.

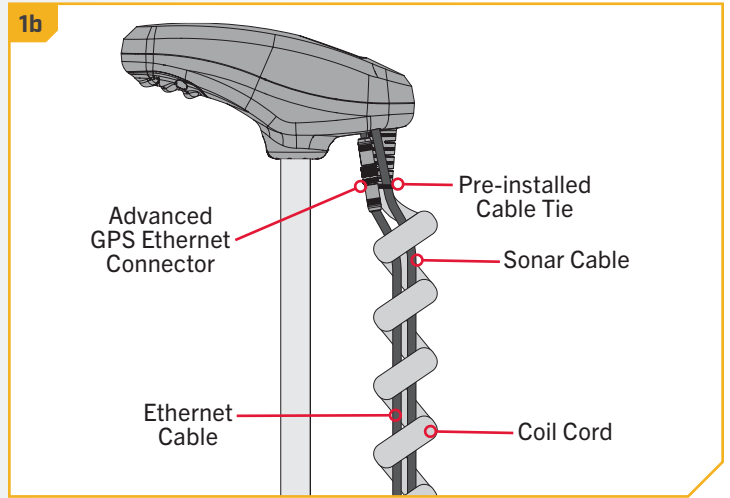
SECURING ACCESSORY CABLES

1

- a. Place the motor in the stowed position. Confirm all Accessory Cables are connected to an output device as desired.
- b. To secure the Accessory Cables, the Sonar Cable and Ethernet Cable will be tied together inside the Coil Cord using Cable Ties. Ensure the Accessory Cables are parallel to each other inside the Coil Cord. Run the Accessory Cables from the Control Head to the Mount, keeping them straight and parallel the entire length.

NOTICE: The Sonar Cable comes from the factory secured to the Coil Cord with a pre-installed Cable Tie. Keep the pre-installed Cable Tie in place.

1b



2

ITEM(S) NEEDED

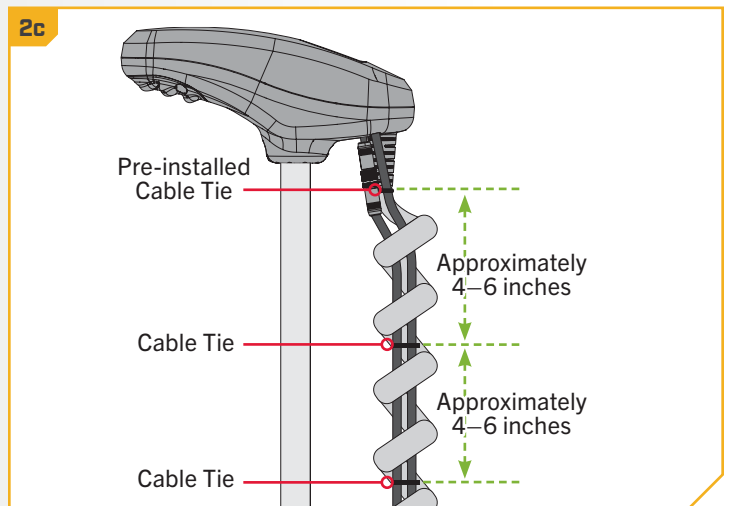
 #16 x 10

- c. Starting approximately 4–6 inches below the pre-installed Cable Tie, take a new Cable Tie (Item #16) and place it around the Sonar Cable and Ethernet Cable. **Do NOT capture the Coil Cord with the Cable Tie.** The Sonar Cable and Ethernet Cable should be secured together with the Cable Tie but float freely on the inside of the Coil Cord. Keep the pre-installed Cable Tie in place.

NOTICE: Do NOT secure the Accessory Cables to the Coil Cord. ONLY secure the Sonar and Ethernet Cables to each other using Cable Ties.

- d. Secure the Cable Tie around the Accessory Cables until it is fingertip tight. Do not over-tighten the Cable Tie as it may damage the Cables.

2c



CAUTION

Do not over-tighten the Cable Ties as it may damage the wires.

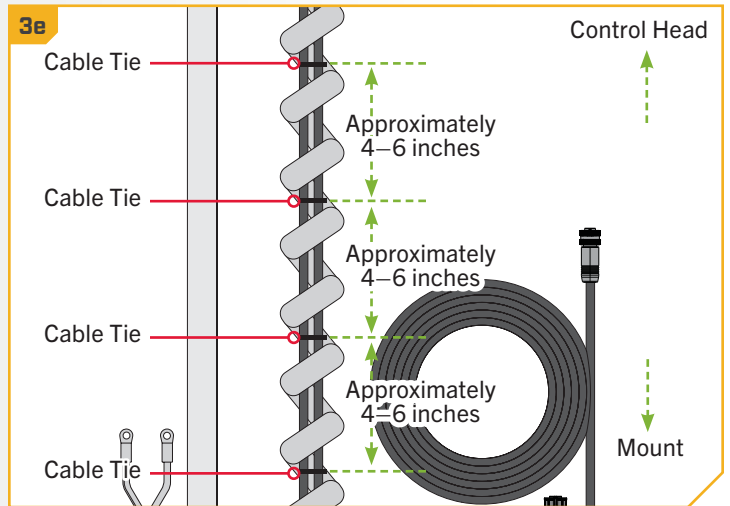
SECURING ACCESSORY CABLES

3

- e. Follow the Accessory Cables from the Control Head to the Mount and place additional Cable Ties every 4–6 inches. The number of Cable Ties needed will vary depending on the length of the trolling motor Shaft.

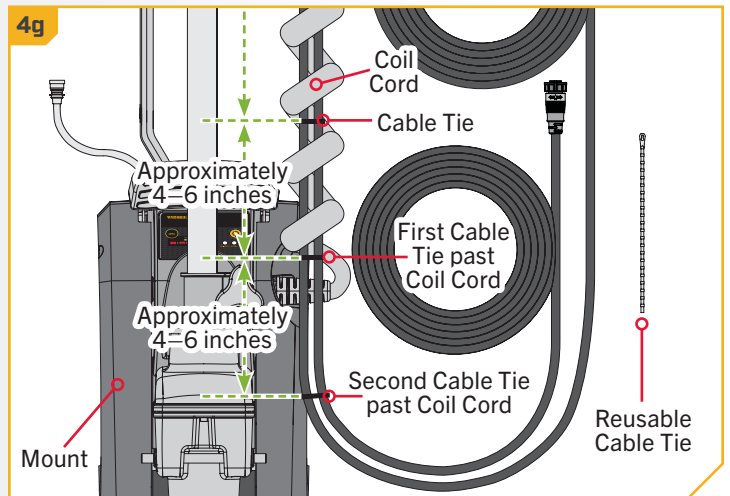
NOTICE: If additional Cable Ties are needed, a Cable Tie Bag Assembly (Part #2996300) is available from the Parts Ordering Portal at minnkota.johnsonoutdoors.com.

NOTICE: Secure the Cable Ties fingertip tight. It is recommended to have them **ONLY** tight enough so that they do not slide around on the Accessory Cables and hold the Cables together.



4

- f. Continue placing Cable Ties every 4–6 inches along the Accessory Cables until there are two Cable Ties in place past the end of the Coil Cord where it enters the Mount.
- g. Look at the placement of the Cable Ties and make sure that at least two Cable Ties are present on the Accessory Cables after they exit the Coil Cord. If no additional Cable Ties are needed, make sure to properly reconnect any Accessory Cables that may have been disconnected.
- h. Bundle any excess cable in a loose loop no less than 4" in diameter. The Reusable Cable Tie can be used to secure excess cable.



› Installing the Prop

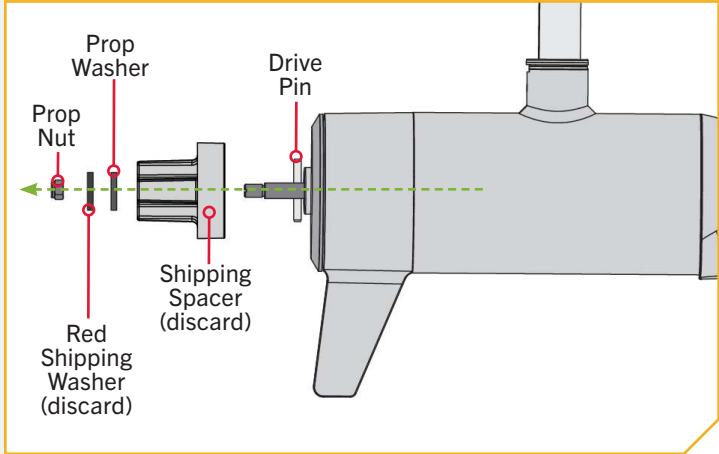
1

⚠ CAUTION

Disconnect the motor from the battery before beginning any Prop work or maintenance.

- a. While holding the Shipping Spacer with a pliers or vise grip, remove the Prop Nut, Red Shipping Washer, Prop Washer and Spacer, being careful not to lose the Drive Pin. Reuse the Prop Nut, Prop Washer and Drive Pin to attach the Prop.

NOTICE: The Shipping Spacer and Red Shipping Washer are for shipping purposes only and must be discarded. The Red Shipping Washer will rust if used to attach the Prop.

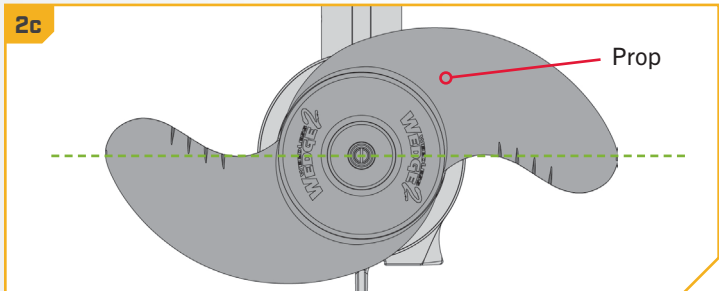
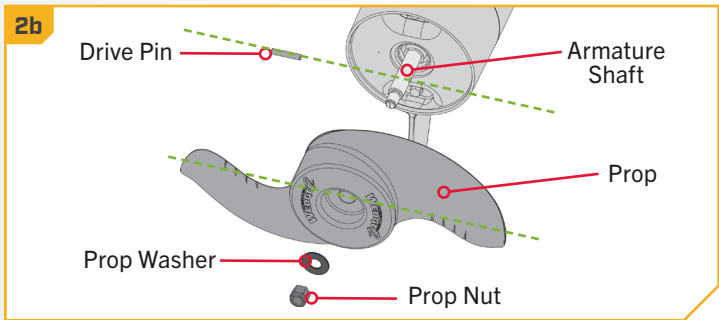


2

ITEM(S) NEEDED



- b. Take the Drive Pin (Item #9) and slide it through the Hole in the Armature Shaft. Position the Drive Pin horizontally by grasping the Armature Shaft and rotating it with the Drive Pin in place.
- c. Align the Prop (Item #12) so it is also horizontal and parallel with the Drive Pin. Slide the Prop onto the Armature Shaft and Drive Pin until it is seated against the lower unit.
- d. Install the Prop Washer (Item #10) and the Prop Nut (Item #11) onto the end of the Armature Shaft.



INSTALLING THE PROP

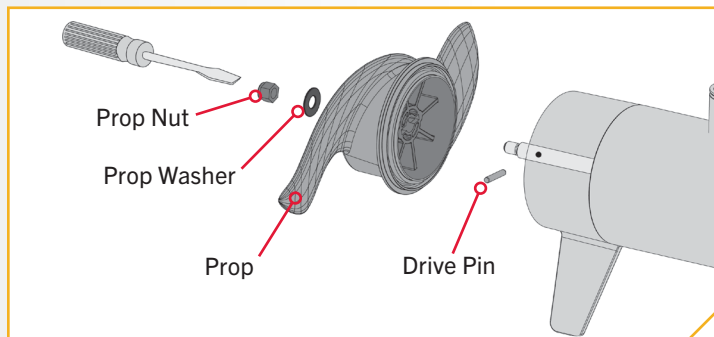
3

- e. Holding the end of the Armature Shaft with a Flat Blade Screwdriver, tighten the Prop Nut with a 9/16" Box End or Open End Wrench.
- f. Tighten the Prop Nut 1/4 turn past snug to 25-35 in-lbs.



CAUTION

Do not over-tighten as this can damage the Prop.



BATTERY & WIRING INSTALLATION

BOAT RIGGING & PRODUCT INSTALLATION

For safety and compliance reasons, we recommend that you follow American Boat and Yacht Council (ABYC) standards when rigging your boat. Altering boat wiring should be completed by a qualified marine technician. The following specifications are for general guidelines only:

CAUTION

These guidelines apply to general rigging to support your Minn Kota motor. Powering multiple motors or additional electrical devices from the same power circuit may impact the recommended conductor gauge and circuit breaker size. If you are using wire longer than that provided with your unit, follow the conductor gauge and circuit breaker sizing table below. If your wire extension length is more than 25 feet, we recommend that you contact a qualified marine technician.

CAUTION

An over-current protection device (circuit breaker or fuse) must be used. Coast Guard requirements dictate that each ungrounded current-carrying conductor must be protected by a manually reset, trip-free circuit breaker or fuse. The type (voltage and current rating) of the fuse or circuit breaker must be sized accordingly to the trolling motor used. The table below gives recommended guidelines for circuit breaker sizing.

CONDUCTOR GAUGE AND CIRCUIT BREAKER SIZING TABLE

This conductor and circuit breaker sizing table is only valid for the following assumptions:

1. No more than 2 conductors are bundled together inside of a sheath or conduit outside of engine spaces.
2. Each conductor has 105° C temp rated insulation.
3. No more than 3% voltage drop allowed at full motor power based on published product power requirements.

Motor Thrust / Model	Max Amp Draw	Circuit Breaker		Wire Extension Length				
		Amp	Minimum	5 feet	10 feet	15 feet	20 feet	25 feet
55 lb.	50	50 Amp	12 VDC	8 AWG	4 AWG	2 AWG	2 AWG	1 AWG
80 lb.	56	60 Amp	24 VDC	8 AWG	6 AWG	6 AWG	4 AWG	2 AWG
112 lb.	52	60 Amp	36 VDC	8 AWG	8 AWG	8 AWG	6 AWG	4 AWG

NOTICE: Wire Extension Length refers to the distance from the batteries to the trolling motor leads. Consult website for available thrust options. Maximum Amp Draw values only occur intermittently during select conditions and should not be used as continuous amp load ratings.

Reference

United States Code of Federal Regulations: 33 CFR 183 – Boats and Associated Equipment ABYC E-11: AC and DC Electrical Systems on Boats

SELECTING THE CORRECT BATTERIES



SELECTING THE CORRECT BATTERIES

The motor will operate with any lead-acid, deep-cycle marine 12-volt battery/batteries. For best results, use a deep-cycle, marine battery with at least a 105 amp-hour rating. Maintain battery at full charge. Proper care will ensure having battery power when you need it, and will significantly improve the battery life. Failure to recharge lead-acid batteries (within 12-24 hours) is the leading cause of premature battery failure. Use a multi-stage charger to avoid overcharging. We offer a wide selection of chargers to fit your charging needs. If you are using a crank battery to start a gasoline outboard, we recommend that you use a separate deep-cycle marine battery/batteries for your Minn Kota trolling motor. For more information on battery selection and rigging, please visit minnkota.johnsonoutdoors.com. Minn Kota trolling motors can run on Lithium-Ion batteries. However, they are specifically designed to run on traditional lead acid batteries (flooded, AGM or GEL). Lithium-Ion batteries maintain higher voltages for longer periods of time than lead-acid. Therefore, running a Minn Kota trolling motor at speeds higher than 85% for a prolonged period could cause permanent damage to the motor.

WARNING

Never connect the (+) and the (–) terminals of the same battery together. Take care that no metal object can fall onto the battery and short the terminals. This would immediately lead to a short and extreme fire danger.

CAUTION

Refer to “Conductor Gauge and Circuit Breaker Sizing Table” in the previous section to find the appropriate circuit breaker or fuse for your motor. For motors requiring a 60-amp breaker, the Minn Kota MKR-19 60-amp circuit breaker is recommended.

CAUTION

Please read the following information before connecting your motor to your batteries in order to avoid damaging your motor and/or voiding your warranty.

ADDITIONAL CONSIDERATIONS

› Using Alternator Chargers

Your Minn Kota trolling motor may be designed with an internal bonding wire to reduce sonar interference. Most alternator charging systems do not account for this bonding wire, and connect the negative posts of the trolling motor batteries to the negative posts of the crank/starting battery. These external connections can damage connected electronics and the electrical system of your trolling motor, voiding your warranty. Review your charger’s manual carefully or consult the manufacturer prior to use to ensure your charger is compatible.

Minn Kota recommends using Minn Kota brand chargers to recharge the batteries connected to your Minn Kota trolling motor, as they have been engineered to work with motors that include a bonding wire.

› Additional Accessories Connected to Trolling Motor Batteries

Significant damage to your Minn Kota motor, your boat electronics, and your boat can occur if incorrect connections are made between your trolling motor batteries and other battery systems. Minn Kota recommends using an exclusive battery system for your trolling motor. Where possible, accessories should be connected to a separate battery system. Radios and sonar units should not be connected to any trolling motor battery systems as interference from the trolling motor is unavoidable. If connecting any additional accessories to any trolling motor battery system, or making connections between the trolling motor batteries and other battery systems on the boat, be sure to carefully observe the information below.

The negative (-) connection must be connected to the negative terminal of the same battery that the trolling motor negative lead connects to. In the diagrams below this battery is labeled “Low Side” Battery. Connecting to any other trolling motor battery will input positive voltage into the “ground” of that accessory, which can cause excess corrosion. Any damage caused by incorrect connections between battery systems will not be covered under warranty.

› Automatic Jump Start Systems and Selector Switches

Automatic jump start systems and selector switches tie the negatives of the connected batteries together. Connecting these systems to the “High Side” Battery or “Middle” Battery in the diagrams below and will cause significant damage to your trolling motor and electronics. The only trolling motor battery that is safe to connect to one of these systems is the “Low Side” Battery.

NOTICE: The internal bonding wire is equipped with a 3-amp fuse. Improper connections described above carrying in excess of 3 amps will blow this fuse and no further damage will be exhibited. If this occurs, RF interference from the trolling motor affecting sonar units and other electronics will be more significant. If the fuse is blown, the wiring error should be found and addressed prior to replacing the fuse. The replacement fuse should be 3 amps or less. An intact fuse does not imply correct rigging; significant damage can be done by incorrect wiring without approaching 3 amps of current.

CONNECTING THE BATTERIES

› 12-Volt Systems

1. Make sure that the motor is switched off (speed selector on “OFF” or “0”).
2. Connect positive (+) red lead to positive (+) battery terminal.
3. Connect negative (–) black lead to negative (–) battery terminal.

WARNING

For safety reasons do not switch the motor on until the propeller is in the water. If installing a leadwire plug, observe proper polarity and follow instructions in your boat owner’s manual.

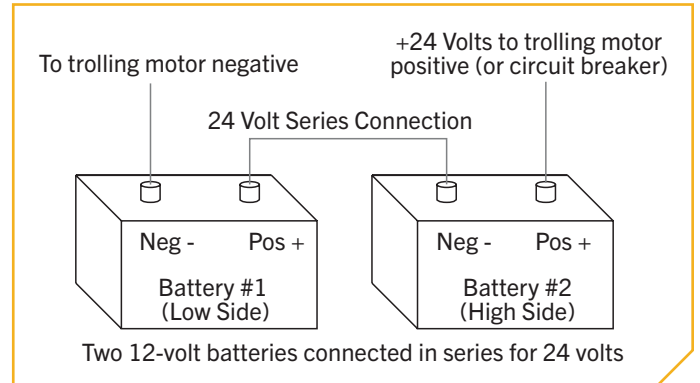
CONNECTING THE BATTERIES IN SERIES

CONNECTING THE BATTERIES IN SERIES (IF REQUIRED FOR YOUR MOTOR)

24-Volt Systems

Two 12-volt batteries are required. The batteries must be wired in series, only as directed in the wiring diagram, to provide 24 volts.

1. Make sure that the motor is switched off (speed selector on "0").
2. Connect a connector cable to the positive (+) terminal of battery 1 and to the negative (-) terminal of battery 2.
3. Connect positive (+) red motor lead to positive (+) terminal on battery 2.
4. Connect negative (-) black motor lead to negative (-) terminal of battery 1.



WARNING

For safety reasons do not switch the motor on until the propeller is in the water. If installing a leadwire plug, observe proper polarity and follow instructions in your boat owner's manual.

WARNING

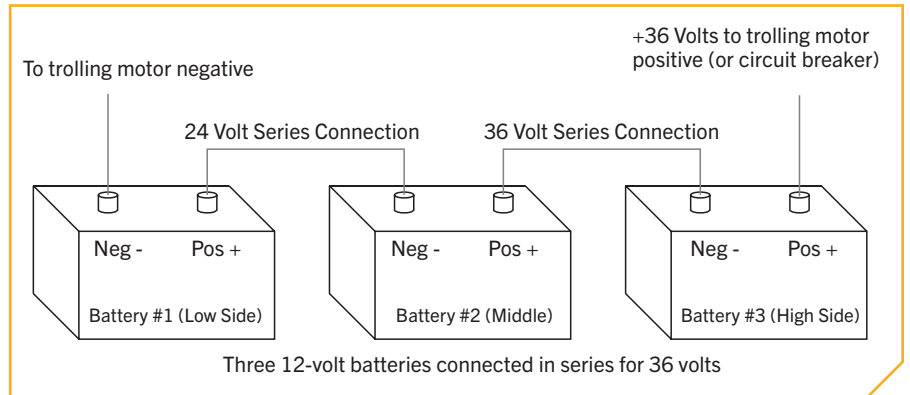
- For safety reasons, disconnect the motor from the battery or batteries when the motor is not in use or while the battery/batteries are being charged.
- Improper wiring of 24/36 volt systems could cause battery explosion.
- Keep leadwire wing nut connections tight and solid to battery terminals.
- Locate battery in a ventilated compartment.

CONNECTING THE BATTERIES IN SERIES

36-Volt Systems

Three 12-volt batteries are required. The batteries must be wired in series, only as directed in the wiring diagram, to provide 36 volts.

1. Make sure that the motor is switched off (speed selector on "0").
2. Connect a connector cable to the positive (+) terminal of battery 1 and to the negative (-) terminal of battery 2 and another connector cable from the positive (+) terminal of battery 2 to the negative (-) terminal of battery 3.
3. Connect positive (+) red motor lead to positive (+) terminal on battery 3.
4. Connect negative (-) black motor lead to negative (-) terminal of battery 1.



WARNING

For safety reasons, do not switch the motor on until the propeller is in the water. If installing a leadwire plug, observe proper polarity and follow instructions in your boat owner's manual.

WARNING

- For safety reasons, disconnect the motor from the battery or batteries when the motor is not in use or while the battery/batteries are being charged.
- Improper wiring of 24/36 volt systems could cause battery explosion.
- Keep leadwire wing nut connections tight and solid to battery terminals.
- Locate battery in a ventilated compartment.

This completes the installation of your Terrova. A complete Owner's Manual can be downloaded at minnkota.johnsonoutdoors.com.

RECOMMENDED ACCESSORIES

› ON-BOARD & PORTABLE BATTERY CHARGERS

Stop buying new batteries and start taking care of the ones you've got. Many chargers can actually damage your battery over time – creating shorter run times and shorter overall life. Digitally controlled Minn Kota chargers are designed to provide the fastest charge that protect and extend battery life.



MK212PCL



MK210D



MK110PD

› TALON SHALLOW WATER ANCHOR

Talon is the only shallow water anchor with up to 15' of anchoring depth, multiple anchoring modes, and control from the bow, transom, console, remote or mobile device.



BUILT-IN WORK LIGHT

Lets you tie lines and work from the transom any time of day — or night. Includes both white and blue LED lights with three brightness settings.



BLUETOOTH® CONNECTIVITY

Lets you control Talon from your mobile device and easily update it. Also opens up communication to other control options.



UP TO 15' DEEP

Control more water and catch more fish with the first 15' shallow water anchor.



MORE CONTROL OPTIONS

- Control Panel
- Wireless Remote
- Mobile App
- Wireless Foot Switch
- Humminbird® Connectivity
- Advanced GPS Navigation System Remote



› MINN KOTA ACCESSORIES

We offer a wide variety of trolling motor accessories, including:

- 60-Amp Circuit Breaker
- Mounting Brackets
- Stabilizer Kits
- Extension Handles
- Battery Connectors
- Battery Boxes
- Quick Connect Plugs



minnkota.johnsonoutdoors.com    

Part #2327136

Minn Kota Consumer & Technical Service
Johnson Outdoors Marine Electronics, Inc.
PO Box 8129
Mankato, MN 56001

121 Power Drive
Mankato, MN 56001
Phone (800) 227-6433
Fax (800) 527-4464

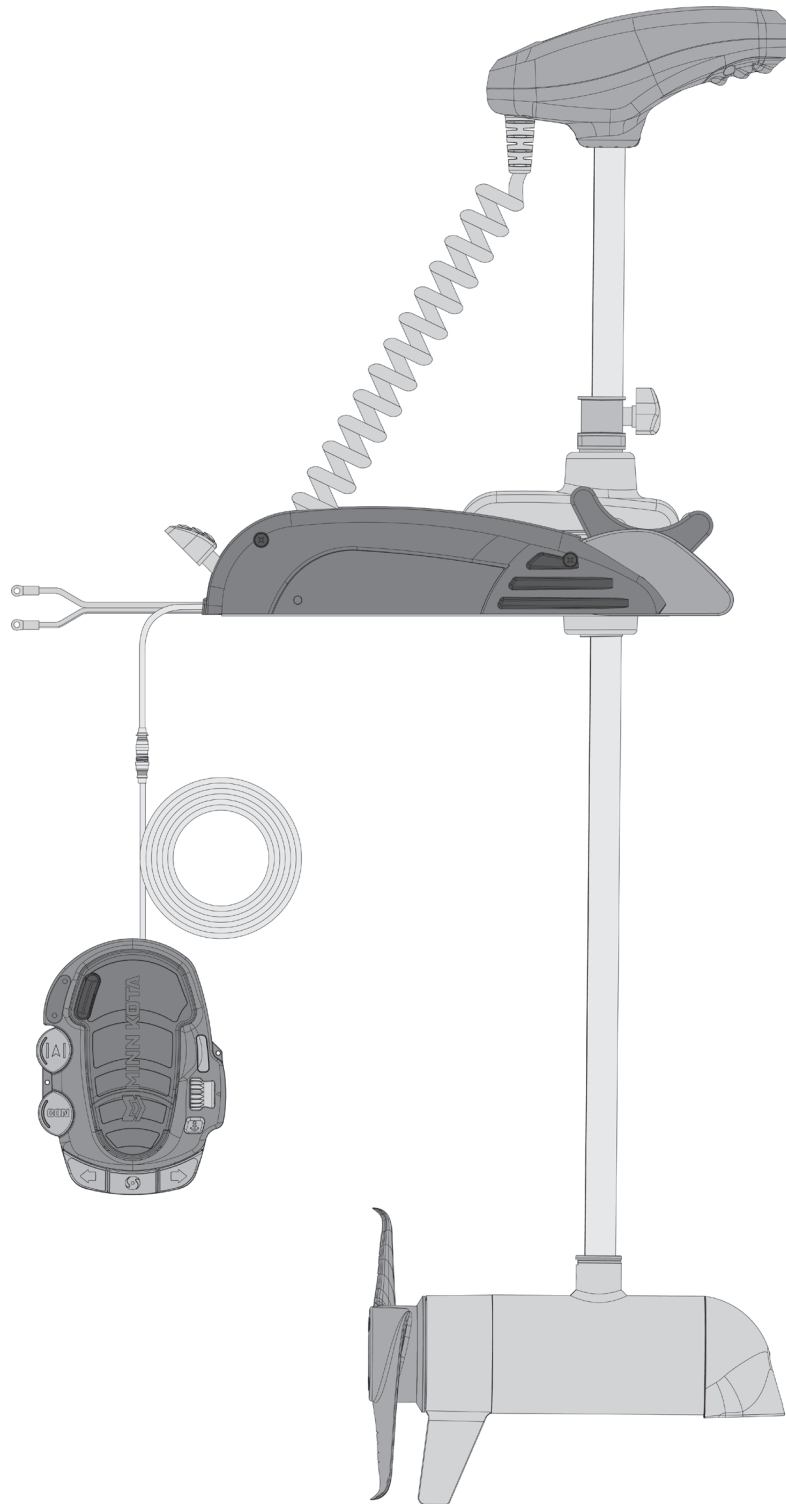


©2024 Johnson Outdoors Marine Electronics, Inc.
All rights reserved.

ECN 44629

Rev D

01/24



TERROVA

MOTEUR DE PÊCHE À LA TRAÎNE MONTÉ SUR L'ÉTRAVE

Instructions d'Installation

PRÉSENTATION

MERCI

Nous vous remercions d'avoir choisi Minn Kota. Nous sommes persuadés que vous devriez consacrer plus de temps à pêcher et moins de temps à amarrer votre embarcation. C'est pourquoi nous construisons les propulseurs électriques les plus intelligents, les plus solides et les plus faciles à utiliser. Chaque aspect d'un propulseur électrique Minn Kota est réfléchi et étudié jusqu'à ce qu'il soit digne de porter notre nom. Nous avons investi des heures incalculables de recherche et d'essais pour vous offrir les avantages caractéristiques de Minn Kota, qui vous mène vraiment « n'importe où, et n'importe quand. » Notre principe est simple, nous faisons les choses selon les règles. Nous sommes Minn Kota. Et nous ne cesserons jamais de vous aider à pêcher plus de poissons.

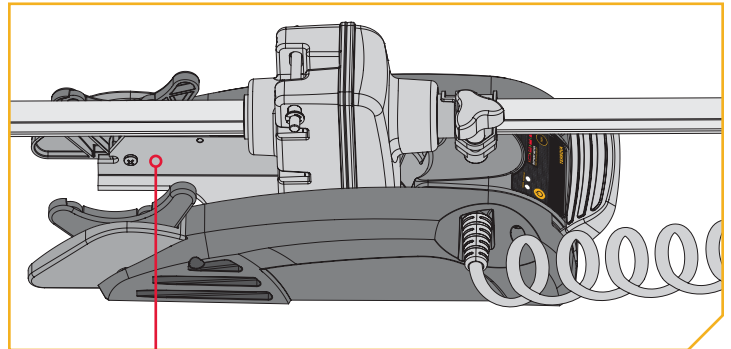
ENREGISTREMENT

N'oubliez pas de conserver votre reçu et d'enregistrer immédiatement votre moteur de pêche à la traîne sur notre site Web minnkota.johnsonoutdoors.com/us/register.

NUMÉRO DE SÉRIE

Le numéro de série à 11 caractères Minn Kota est très important. Cela permet de déterminer le modèle spécifique et l'année de fabrication. Lorsque vous contactez le service à la clientèle ou que vous enregistrez votre produit, vous aurez besoin du numéro de série de votre produit.

AVIS : Le numéro de série de votre Terrova se trouve sous la barre d'inclinaison.



INFORMATIONS SUR LE MOTEUR (À des fins de Référence par le Client Seulement)

Modèle: _____

Numéro de Série: _____

Date de l'achat: _____

Magasin où l'achat a été effectué: _____

AVIS : Ne retournez pas le moteur Minn Kota au détaillant. Le détaillant n'est pas autorisé à réparer ou à remplacer cette unité. Pour le service : communiquer avec Minn Kota au (800) 227-6433; retourner le moteur au Centre de service de l'usine de Minn Kota; envoyer ou apporter le moteur à un centre de service agréé de Minn Kota. Une liste de centres de service agréés est disponible sur notre site Web, à minnkota.johnsonoutdoors.com. Pour obtenir un service au titre de la garantie, y compris toutes les options susmentionnées, veuillez inclure la preuve d'achat, le numéro de série et la date d'achat.

Conçu pour iPhone^{MD} 11 et iPhone X

Pour une compatibilité mise à jour iOS, Humminbird^{MD} et Minn Kota^{MD}, visitez minnkota.johnsonoutdoors.com



L'utilisation de l'insigne Fait pour Apple signifie qu'un accessoire a été conçu pour se connecter spécifiquement au(x) produit(s) Apple identifié(s) sur l'insigne et qu'il a été certifié par le développeur comme étant conforme aux normes de rendement d'Apple. Apple n'est pas responsable de l'utilisation de cet appareil ou de sa conformité aux normes sécuritaires et légales. iPhone est une marque déposée d'Apple Inc., enregistrée aux États-Unis et dans d'autres pays. La marque « iPhone » est utilisée au Japon avec une licence d'Airphone K.K.

Android^{MC} est une marque de commerce de Google LLC. Le robot Android^{MC} est reproduit ou modifié de l'œuvre créée et partagée par Google et utilisé conformément aux conditions décrites dans la licence Creative Commons 3.0 Attribution.

FACTEURS DE SÉCURITÉ

Veillez lire attentivement le manuel de l'utilisateur. Suivez toutes les instructions et respectez toutes les consignes de sécurité et mises en garde. L'utilisation de ce moteur n'est autorisée que pour les personnes qui ont lu et compris ces consignes pour l'utilisateur. Les personnes mineures peuvent utiliser ce moteur uniquement sous la supervision d'un adulte.

AVERTISSEMENT

Vous seul êtes responsable de la navigation sécuritaire et prudente sur votre bateau. Nous avons conçu votre Minn Kota pour qu'il soit un outil précis et fiable qui vous permettra d'améliorer l'utilisation de votre bateau et d'accroître votre capacité de pêcher des poissons. Ce produit ne vous exonère pas de la responsabilité de naviguer en toute sécurité avec votre bateau. Vous devez éviter les dangers liés à la navigation et toujours exercer une veille permanente afin de pouvoir réagir au fur et à mesure que les situations se présentent. Vous devez toujours être prêt à reprendre le contrôle manuel de votre bateau. Apprenez à utiliser votre Minn Kota dans une zone exempte de dangers et d'obstacles.

AVERTISSEMENT

Ne faites jamais fonctionner le moteur hors de l'eau, puisque cela entraînerait des blessures causées par l'hélice en rotation. Le moteur doit être débranché de la source d'alimentation lorsqu'il n'est pas utilisé ou lorsqu'il est hors de l'eau. Au moment de brancher les câbles d'alimentation du moteur à la batterie, veiller à ce qu'ils ne soient pas entortillés ou exposés au frottement, puis les placer de telle manière que personne ne risque de trébucher. Avant d'utiliser le moteur, s'assurer que l'isolant des câbles d'alimentation n'est pas endommagé. Ne pas tenir compte de ces mesures de sécurité peut entraîner des courts-circuits avec les batteries et/ou le moteur. Toujours débrancher le moteur des batteries avant le nettoyage ou la vérification de l'hélice. Éviter de submerger complètement le moteur, car l'eau pourrait pénétrer dans l'appareil inférieur par la tête de contrôle et l'arbre. Si le moteur est utilisé alors que de l'eau est présente dans l'appareil inférieur, ce dernier pourrait subir des dommages considérables. Ces dommages ne seront pas couverts par la garantie.

AVERTISSEMENT

Veillez à ce que ni vous ni d'autres personnes ne vous approchiez trop près de l'hélice en rotation, que ce soit seulement avec une partie du corps ou des objets. Le moteur est puissant et pourrait provoquer des situations périlleuses ou des blessures, pour vous ou les autres. Lorsque le moteur est en marche, se méfier des objets flottants ou des personnes qui pourraient être en train de nager. Les personnes, dont les réactions ou la capacité à faire fonctionner le moteur est/sont affaiblie(s) par l'alcool, la drogue, les médicaments ou d'autres substances, ne sont pas autorisées à utiliser ce moteur. Ce moteur n'est pas adapté à l'utilisation dans de forts courants. Le niveau de pression sonore constant du moteur au moment de l'utilisation est inférieur à 70 dB (A). Le niveau de vibration général ne dépasse pas $8,2 \text{ pi/s}^2$ ($2,5 \text{ m/s}^2$).

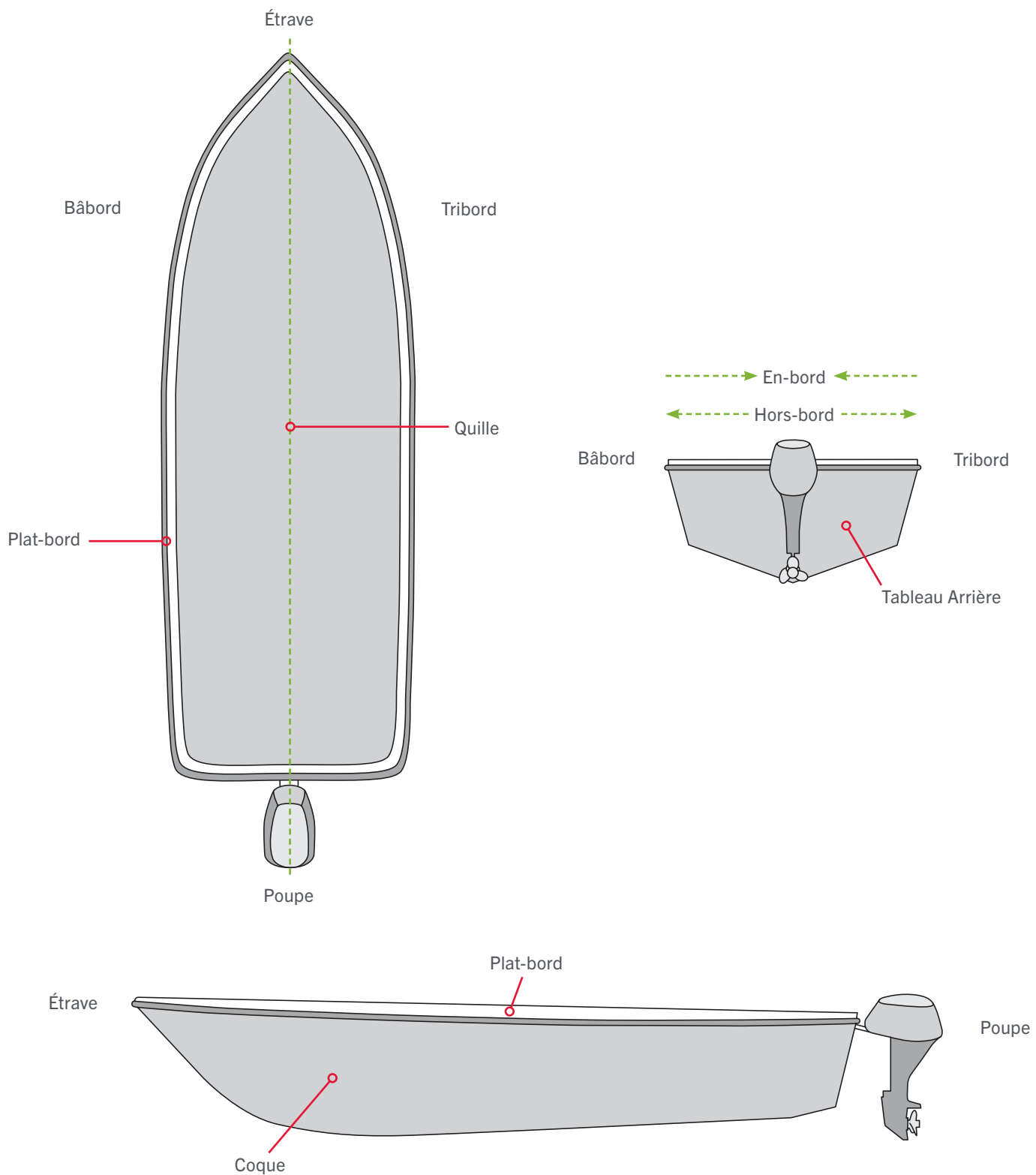
AVERTISSEMENT

Lorsque vous remontez ou abaissez le moteur, gardez vos doigts loin de toutes charnières et tous points de pivot ainsi que de toutes pièces mobiles. En cas d'opération imprévue, retirez les câbles d'alimentation à la batterie.

AVERTISSEMENT

Il est recommandé d'utiliser exclusivement les accessoires approuvés par Johnson Outdoors avec votre moteur Minn Kota. L'utilisation d'accessoires non approuvés, y compris pour monter ou contrôler votre moteur, pourrait causer des dommages, un fonctionnement inattendu du moteur et des blessures. Veillez à utiliser le produit ainsi que les accessoires approuvés, y compris les télécommandes, en toute sécurité et de la manière indiquée pour éviter les accidents ou un fonctionnement inattendu du moteur. Ne retirez pas les pièces installées en usine, y compris les couvercles, boîtiers et protections du moteur et des accessoires.

CONNAISSEZ VOTRE BATEAU



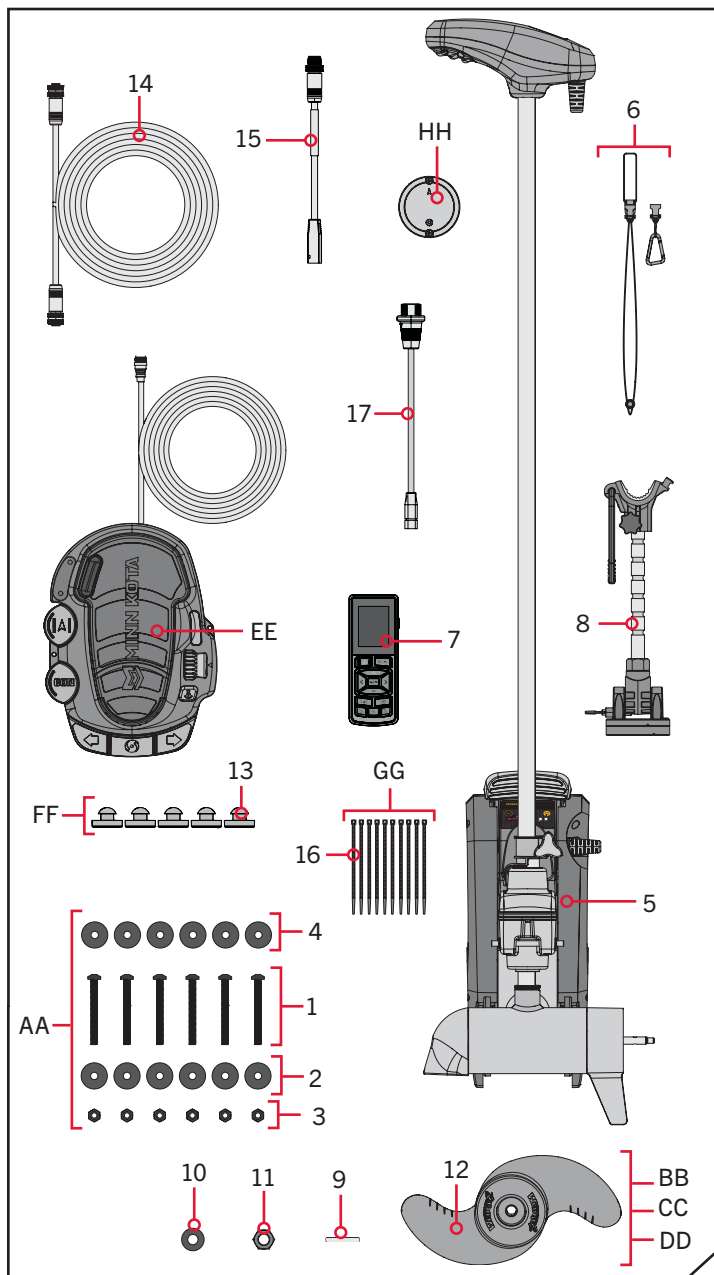
INSTALLATION

INSTALLATION DU TERROVA

Votre nouveau Terrova est offert avec tout ce dont vous aurez besoin pour le montage direct au bateau. Ce moteur peut être monté directement sur le bateau ou couplé avec un support à dégagement rapide Minn Kota pour un montage et un démontage simples. Pour l'installation avec un support à dégagement rapide, consultez les directives d'installation fournies avec le support. Pour obtenir des supports de montage à dégagement rapide compatibles ou pour trouver votre concessionnaire le plus près, visitez minnkota.johnsonoutdoors.com. Pour installer le moteur directement sur le bateau, veuillez suivre les directives fournies avec ce manuel. Avant de commencer, veuillez examiner la liste des pièces et des outils nécessaires à l'installation. Pour davantage de soutien pour les produits, veuillez visiter minnkota.johnsonoutdoors.com.

LISTE DE PIÈCES D'INSTALLATION

Article/Assemblage	N° de Pièce	Description	Qté.
AA (Comprend 1 à 4)	2994864	BAG ASSEMBLY - (BOLT, NUT, WASHERS)	1
1	2263462	SCREW-1/4-20 X 2" S/S PPH ADJT	6
2	2261713	WASHER-1/4 FLAT 18-8 SS	6
3	2263103	NUT-1/4-20 NYLOCK SS	6
4	2301720	WASHER-MOUNTING - RUBBER	6
5	✘	MOTOR ASSEMBLY	1
6	2390802	LANYARD w/CARABINER IP RMT U2	1
7	411690-1	TROLLING MOTOR REMOTE	1
8	2992371	STABILIZER, BWMT ES TM ASM *72 PO (182,9 CM)*	1
BB (Comprend 9 à 12)	1378131	PROP IND 2091160 WDL S WDG II *55 LB (24,9 KG)*	1
CC (Comprend 9 à 12)	1378132	PROP IND 2331160 WDL S WDG II *80 LB (36 KG)*	1
DD (Comprend 9 à 12)	1378160	PROP KIT 2341160 112# WW2 *112 LB (50,8 KG)*	1
9	2262658	PIN-DRIVE 1" X 3/16" S/S *55 LB (24,9 KG)*	1
	2092600	PIN-DRIVE 1.06" LG (SS) *80 LB (36 KG)* *112 LB (50,8 KG)*	1
10	2151726	WASHER-5/16 STD (S/S) *55 LB (24,9 KG)*	1
	2091701	WASHER-PROP (LARGE) *80 LB (36 KG)* *112 LB (50,8 KG)*	1
11	2053101	NUT-PROP,NYLOC (MED) 5/16 SS *55 LB (24,9 KG)*	1
	2093101	NUT-PROP,NYLOC,LG, 3/8 SS *80 LB (36 KG)* *112 LB (50,8 KG)*	1
12	2091161	PROP-WW2 3 5/8" MACHINED *55 LB (24,9 KG)*	1
	2331161	PROP-WW2 4" WELDED *80 LB (36 KG)*	1
	2341161	PROP-WW2 4.5" WELDED *112 LB (50,8 KG)*	1
EE	2994733	FT PEDAL ASM TRV 3 PM *CHIRP À DOUBLE SPECTRE* *DOWN IMAGING MEGA INTÉGRÉ*	1
FF (Comprend 13)	2994859	BAG, ASY-TERROVA/V2, RUB BUMPERS	1
13	2325110	PAD, FOOT PEDAL	5
14	490384-4	CABLE, ETHERNET (M12-M12), 30'	1
15	490380-1	CABLE, ETHERNET PIGTAIL-700 HD	1
GG (Comprend 16)	2996300	BAG ASM, TIE WRAPS, LOW PRO 4"	1
16	2206300	TIE, WRAP, LOW PROFILE 4"	10
HH	2996400	HEADING SENSOR ASSEMBLY	1
17	2994961	BAG ASM, CABLE,ADPTR, 490537-2 *MKR-MI-1*	1
▲	2327134	MANUAL, TERROVA 3 PM	1
▲	2327136	MANUAL-INSTLL GUIDE T3 PM	1
▲	2297165	MANUAL-DISCLAIMER,DWNLOAD INFO	1
▲	2294950	INSTRUCTIONS,OBN & REMOTE PAIR	1
▲	2207131	STANDARD QS SETUP GUIDE	1
▲	2377179	INSTR.SHEET, MKA-60 STBLZR *72 PO (182,9 CM)*	1
▲	2397110	MANUAL, iPILOT 4.0	1
▲	2397115	GUIDE-QCK REFERENCE iP 4.0	1



▲ Non visible sur le schéma des pièces.

✘ Cette pièce est incluse dans un ensemble et ne peut pas être commandée individuellement.

INSTALLATION DU TERROVA

FACTEURS DE MONTAGE >

Il est recommandé que le moteur soit monté aussi près que possible de la quille ou de l'axe du bateau. Vérifiez que la zone sous l'emplacement pour percer des trous et installer des rondelles et des écrous est dégagée. Assurez-vous que le support du moteur est positionné assez loin du bord du bateau. Le moteur ne doit rencontrer aucune obstruction lorsqu'il est dans l'eau ou relevé. Envisagez l'installation d'un support à dégagement rapide ou un adaptateur. Pour la liste complète des accessoires Minn Kota, veuillez visiter minnkota.johnsonoutdoors.com.



Découvrez les accessoires disponibles pour votre moteur de pêche à la traîne sur minnkota.johnsonoutdoors.com.

OUTILS ET RESSOURCES NÉCESSAIRES >

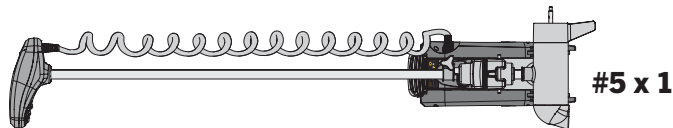
- Tournevis cruciforme n° 3
- Perceuse
- Mèche de 9/32 po (7,1 mm)
- Clé polygonale de 7/16 po (11,1 mm)
- Clé polygonale de 9/16 po (14,29 mm)
- Pince ou pince-étau
- Une deuxième personne pour vous aider avec l'installation
- Tournevis à lame plate
- Poinçon ou autre outil de marquage semblable

INSTALLATION >

INSTALLATION DU TERROVA

1

ARTICLE(S) REQUIS



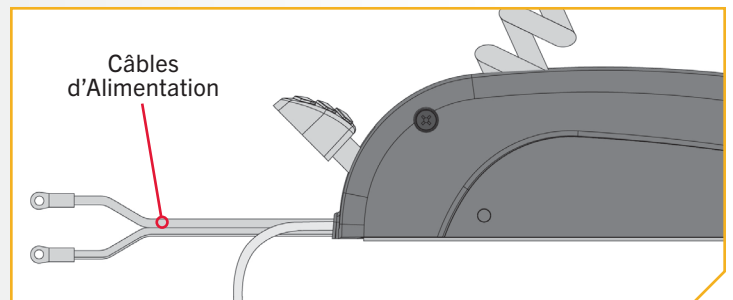
- Placez le moteur de pêche à la traîne (article n° 5) sur une surface élevée et de niveau, comme un établi ou le hayon d'une camionnette. Le moteur, lorsque retiré de la boîte, devrait être en position arrimée.
- Assurez-vous que les câbles d'alimentation ne sont pas connectés à une source d'alimentation ou que le disjoncteur de batterie, le cas échéant, est en position « arrêt ».



AVERTISSEMENT

Assurez-vous que le moteur est sur une surface plane et n'est pas branché à une source d'alimentation.

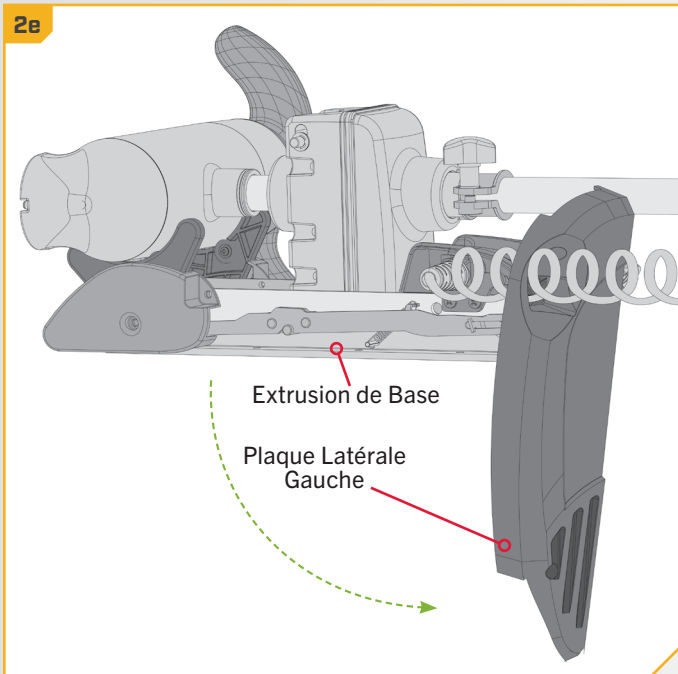
AVIS : Le moteur de pêche à la traîne pèse environ 65 lb (29,5 kg). Minn Kota recommande d'obtenir l'aide d'une deuxième personne pour l'installation.



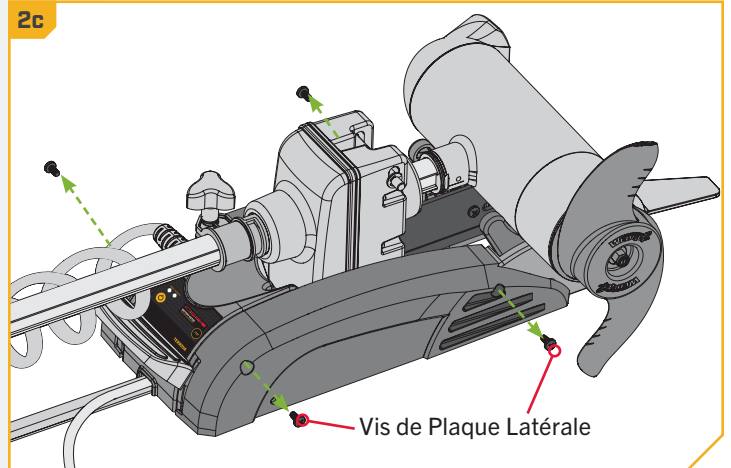
2

- c. Retirez les quatre vis de la plaque latérale en utilisant un tournevis cruciforme n° 3. Deux de ces vis seront situées de chaque côté du support.
- d. Enlevez la plaque latérale droite.
- e. Faites pivoter la plaque latérale gauche en l'éloignant de l'extrusion de la base.

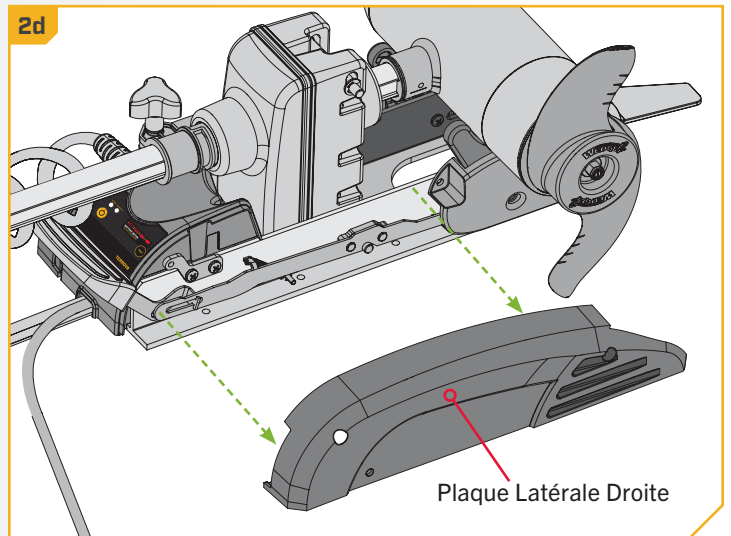
2e



2c

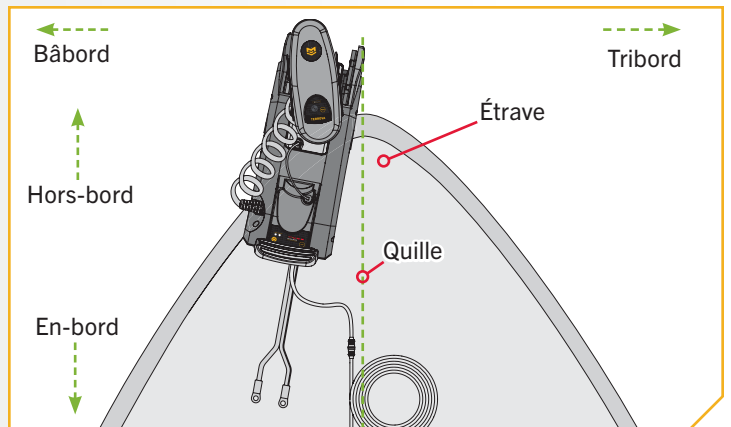


2d



3

- f. Relisez les facteurs de montage juste avant l'installation. Placez le moteur sur l'étrave du bateau dans l'emplacement de montage prévu, aussi près que possible de l'axe ou de la quille du bateau. Le moteur peut être installé soit sur le côté bâbord ou tribord du bateau, selon la préférence personnelle. Vérifiez l'emplacement avec le moteur dans la position arrimée et déployée.



INSTALLATION DU TERROVA

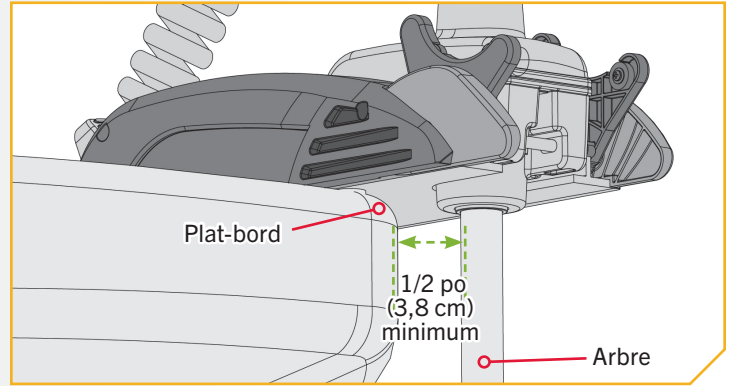
4

ARTICLE(S) REQUIS

● #4 x 6

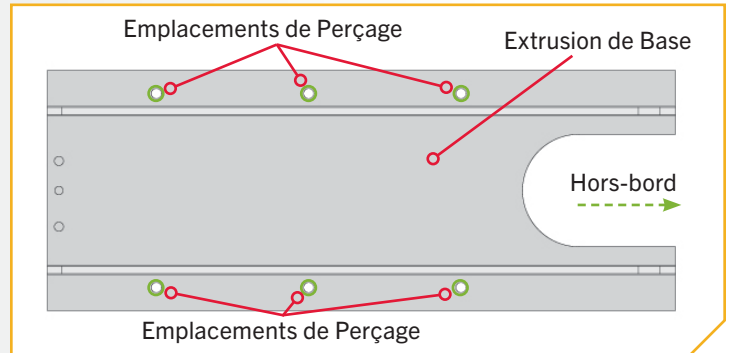
- g. Lorsque le moteur est en position déployée, veillez à ce que l'arbre dépasse le plat-bord de 1/2 po (3,8 cm). Lorsqu'il est arrimé et déployé, l'appareil inférieur ne doit pas rencontrer d'obstacles.
- h. Assurez-vous que le support est de niveau. Au besoin, utilisez les rondelles de caoutchouc (article n° 4) pour créer une surface au niveau.

AVIS : La surface de montage du Terrova doit être plate. Des rondelles en caoutchouc peuvent être utilisées pour caler l'extrusion de la base afin qu'elle soit à plat avant le serrage de la quincaillerie.



5

- i. Avec le moteur à l'emplacement de montage prévu, utilisez un poinçon ou un outil similaire et marquez les six trous de montage dans l'extrusion de la base.
- j. Assurez-vous que la zone sous l'emplacement de montage est dégagée afin de pouvoir percer les trous et installer les rondelles et les écrous. Glissez le moteur de côté pour percer les trous de montage.
- k. Percez le pont du bateau à l'aide d'une perceuse et d'une mèche de 9/32 po (7,1 mm) aux six endroits marqués.



6

ARTICLE(S) REQUIS

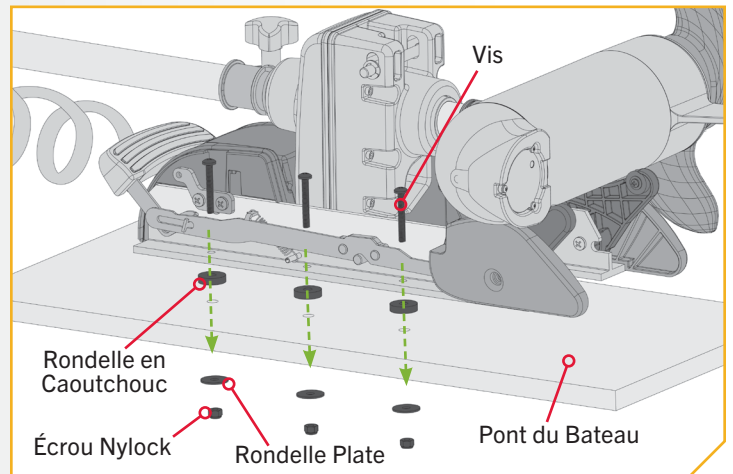
● #2 x 6

| #1 x 6

○ #3 x 6

● #4 x 6

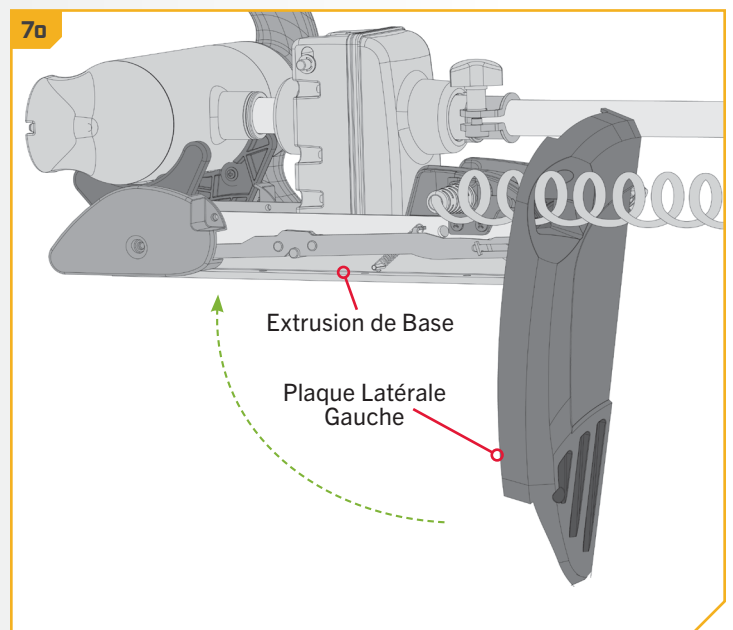
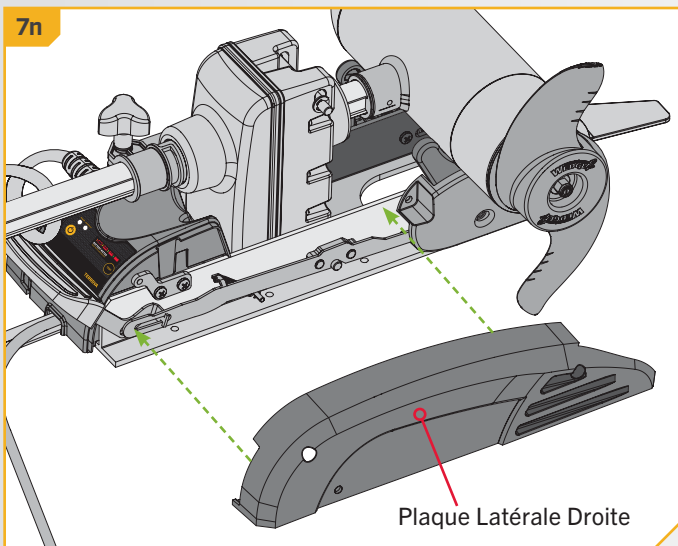
- i. Mettez une vis 1/4-20 x 2 po (6,4-20 x 50,8 mm) (article n° 1) dans chaque trou percé. La vis doit traverser l'extrusion de base et le pont du bateau. Si les rondelles en caoutchouc (article n° 4) sont utilisées, elles doivent se trouver entre l'extrusion de base et le pont du bateau. Assurez-vous de fixer le moteur avec des vis de chaque côté de l'extrusion de base.
- m. Placez une rondelle plate (article n° 2) puis un écrou Nylock (article n° 3) au bout de chaque vis comme illustré, puis serrez les écrous à l'aide d'une clé polygonale de 7/16 po (11,1 mm). Assurez-vous que toute la quincaillerie est bien fixée.



AVIS : Pour prévenir le grippage de la quincaillerie en acier inoxydable, n'utilisez pas d'outils haute vitesse pour l'installation. Le fait de mouiller les vis ou d'appliquer un antigrippant peut aider à prévenir qu'elles grippent.

7

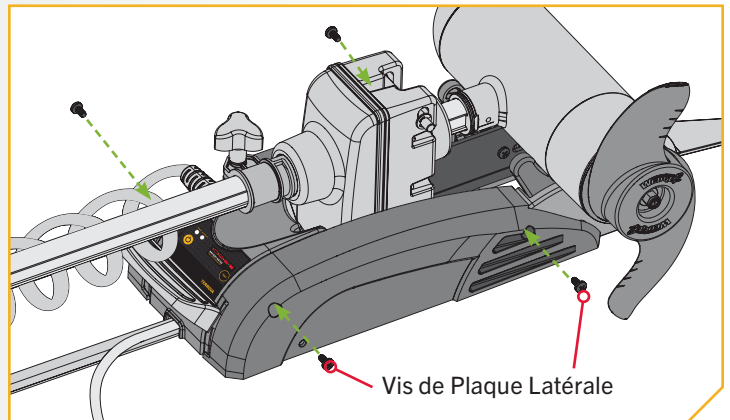
- n. Remplacez la plaque latérale droite.
- o. En la faisant pivoter, remplacez la plaque latérale gauche dans sa position appropriée sur l'extrusion de la base.



MISE SOUS TENSION DE LA TÉLÉCOMMANDE SANS FIL

8

- p. Remplacez les quatre vis de la plaque latérale en utilisant un tournevis cruciforme n° 3. Deux de ces vis seront situées de chaque côté du support.



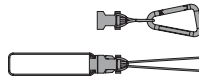
› Mise sous tension de la télécommande sans fil

1




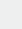
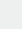
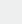
ARTICLE(S) REQUIS

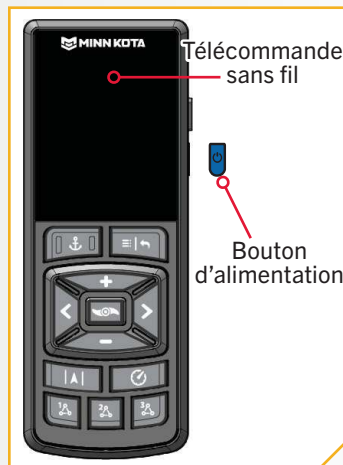


#7 x 1



#6 x 1

- Mettez le moteur de pêche à la traîne sous tension.
- Pour allumer la télécommande sans fil (article n° 7), appuyez sur le bouton d'alimentation  situé sur le côté de la télécommande et gardez-le enfoncé.
- Un message s'affiche à l'écran. Lisez l'avis de non-responsabilité, puis appuyez sur le bouton Direction droite  pour sélectionner « J'accepte ».
- Le contenu s'affiche sur l'écran. Les fonctions à distance pour contrôler manuellement le moteur sont maintenant actives, y compris Accélérer , Ralentir , Direction gauche , Direction droite  et Marche/arrêt de l'hélice.
- Lorsque le système de navigation GPS avancé obtient un signal GPS d'une force minimale d'une barre, le reste des fonctions devient disponible.





Warning!

You are responsible for the safe and prudent operation of your boat. This product does not relieve you from the responsibility for safe operation of your boat.

I Agree 

AVIS : La fixation de la longe (article n° 6) à la télécommande sans fil est facultative.

AVIS : La télécommande sans fil est jumelée au Terrova en usine.

AVIS : Un accessoire de support de télécommande (1866675) peut être acheté pour monter la télécommande sans fil ou la fixer à une pince de ceinture.

Installation de la pédale

1

ARTICLE(S) REQUIS

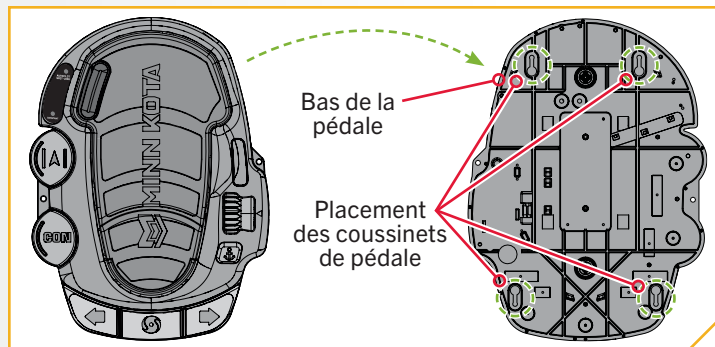
#13 x 4



#EE x 1

- a. Prenez la pédale (article n° EE) et retournez-la. Placez un coussinet de pédale (article n° 13) dans chacun des emplacements de coussinet.

AVIS : L'ajout des coussinets de pédale est facultatif. Les coussinets sont recommandés lors de l'utilisation de la pédale sur des surfaces n'étant pas couvertes de tapis.

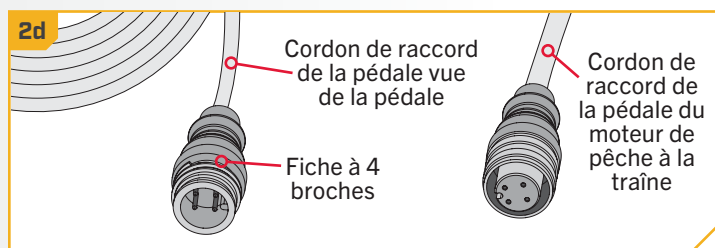
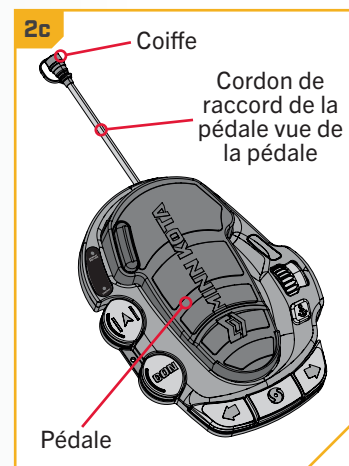
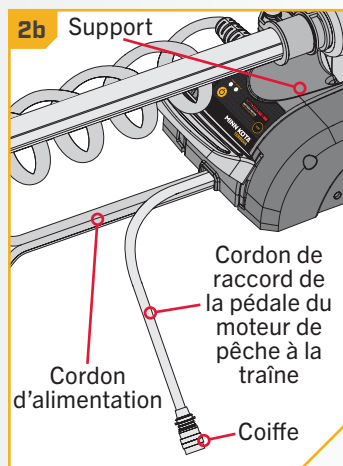


2

- b. Localisez le cordon de raccord de la pédale qui sort du support du moteur de pêche à la traîne, à côté du cordon d'alimentation. Dévisser le capuchon de la fiche.
- c. Repérez la fiche à 4 broches de la pédale et dévissez le capuchon.
- d. Alignez la fiche à 4 broches de la pédale avec la fiche du moteur de pêche à la traîne. Poussez fermement les fiches de raccord ensemble. Fixez le raccord en tournant le collier sur le cordon d'alimentation de la pédale dans le sens des aiguilles d'une montre.

AVIS : Les connecteurs sont codés pour empêcher une installation en sens inverse.

AVIS : Lorsque le cordon de raccord de la pédale n'est pas utilisé, s'assurer que le capuchon est en place et fermement fixé.



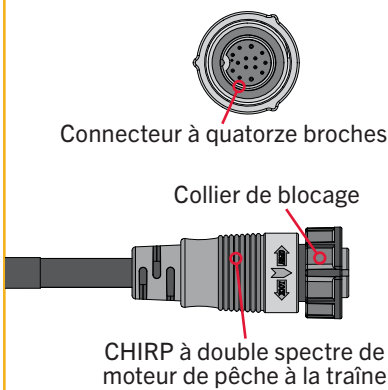
IDENTIFICATION DES FONCTIONS DU MOTEUR DE PÊCHE À LA TRAÎNE ET DE LEURS CÂBLES CONNEXES

IDENTIFICATION DES FONCTIONS DU MOTEUR DE PÊCHE À LA TRAÎNE ET DE LEURS CÂBLES CONNEXES

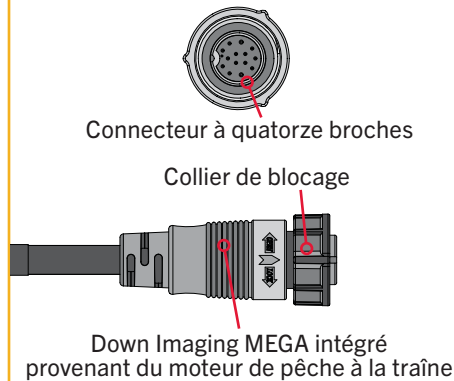
Identification des Fonctionnalités et des Câbles

Le Terrova est préinstallé avec la navigation GPS avancée - y compris la possibilité de se connecter via Ethernet à une unité Humminbird. Il peut également être installé avec un sonar, soit le CHIRP à double spectre ou le Down Imaging MEGA intégré. Ces fonctionnalités peuvent être installées seules ou en combinaison avec une autre fonctionnalité. Toutes ces fonctionnalités requièrent la connexion de câbles accessoires à un dispositif de sortie. Ces connecteurs se trouvent sur le moteur de pêche à la traîne et comportent des câbles qui sortent sous la tête de contrôle où le cordon enroulé sort à la base du support. Pour mieux identifier les câbles accessoires présents, reportez-vous aux schémas qui détaillent à quoi ressemblent les connecteurs CHIRP à Double Spectre, Down Imaging MEGA Intégré et Navigation GPS Avancée.

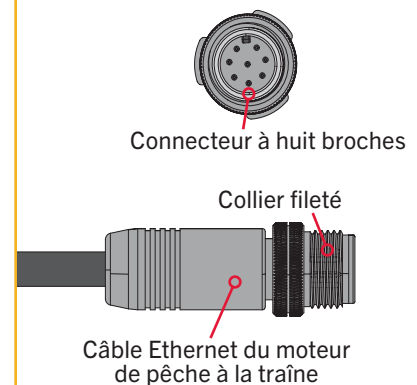
CHIRP à Double Spectre



Down Imaging MEGA Intégré



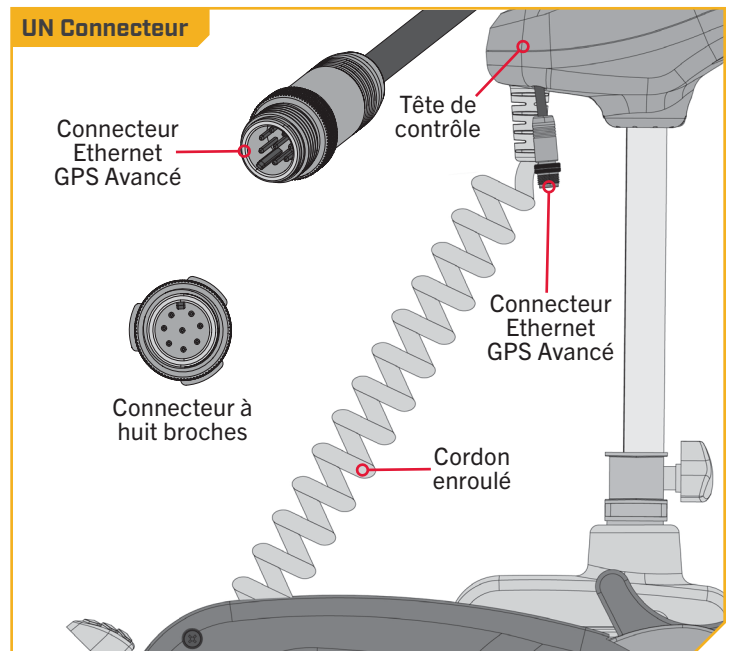
Navigation GPS Avancée



Identification des Connecteurs

Si UN connecteur se trouve sous la tête de contrôle, le moteur peut être équipé de :

Navigation GPS Avancée - Si la navigation GPS avancée est préinstallée sur votre moteur de pêche à la traîne, un connecteur Ethernet GPS avancé à huit broches sortira de la base de la tête de contrôle et pendra juste en dessous de la tête de contrôle à côté du cordon enroulé. Si la navigation GPS avancée du moteur de pêche à la traîne est utilisée avec un détecteur de poissons, un câble Ethernet peut être connecté au connecteur Ethernet GPS avancé sous la tête de contrôle. Voir la section « Navigation GPS avancée » de ce document pour plus de détails sur l'installation du connecteur Ethernet GPS avancé sur un Humminbird. Si un seul connecteur est présent sous la tête de contrôle, le moteur n'est pas équipé de sonar.

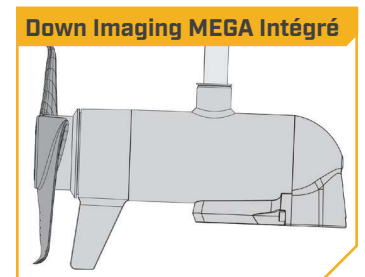
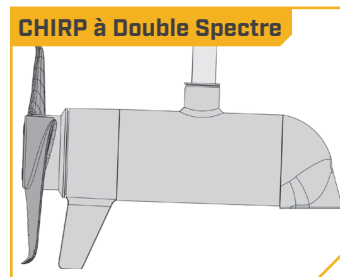
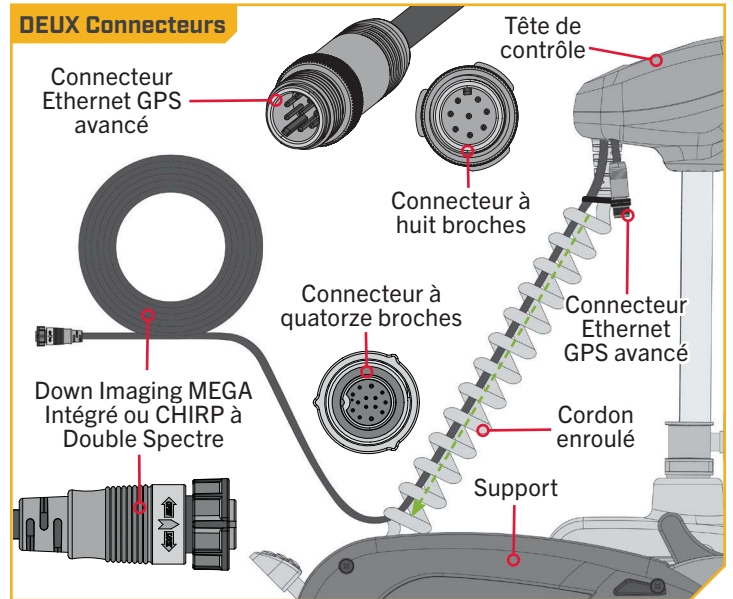


IDENTIFICATION DES CONNECTEURS

Si **DEUX** connecteurs sont présents sous la tête de contrôle, le moteur de pêche à la traîne sera équipé de :

Navigation GPS Avancée et CHIRP à Double Spectre ou imagerie Down Imaging MEGA Intégré - Si la navigation GPS avancée est préinstallée sur votre moteur de pêche à la traîne, un connecteur Ethernet GPS avancé à huit broches sortira de la base de la tête de contrôle et pendra juste en dessous de la tête de contrôle à côté du cordon enroulé. Si la navigation GPS avancée du moteur de pêche à la traîne est utilisée avec un détecteur de poissons, un câble Ethernet peut être connecté au connecteur Ethernet GPS avancé sous la tête de contrôle. Voir la section « Navigation GPS avancée » de ce document pour plus de détails sur l'installation du connecteur Ethernet GPS avancé sur un Humminbird.

Si le CHIRP à double spectre ou le Down Imaging MEGA intégré est préinstallé sur votre moteur de pêche à la traîne, un câble accessoire de sonar sortira de la base de la tête de contrôle et descendra au centre du cordon enroulé. L'extrémité du câble aura un connecteur à quatorze broches. Les moteurs avec CHIRP à double spectre ou Down Imaging MEGA intégré auront également un transducteur dans l'unité inférieure. L'apparence du transducteur varie selon le type de sonar.



GESTION DES FONCTIONNALITÉS ET DES CÂBLES

› Gestion des fonctionnalités et des câbles

CHIRP À DOUBLE SPECTRE ›

Votre moteur de pêche à la traîne peut être préinstallé avec un système de transducteur doté du CHIRP à double spectre de Humminbird. CHIRP signifie « Compressed High Intensity Radar Pulse », une impulsion radar haute intensité compressée. Le CHIRP à double spectre est un transducteur sonar 2D doté d'un capteur de température intégré dans le module inférieur du moteur de pêche à la traîne. Humminbird utilise également un transducteur exclusif, le meilleur de sa catégorie, conçu et construit pour maximiser les détails des poissons, ainsi que la zone de couverture. Le CHIRP à double spectre scanne l'eau à la recherche de poissons de la même manière que la fonction de recherche de la radio de votre camion scanne les ondes pour les stations FM. En couvrant une large gamme de fréquences, CHIRP produit des retours plus précis et plus détaillés des poissons, de la structure et du fond.

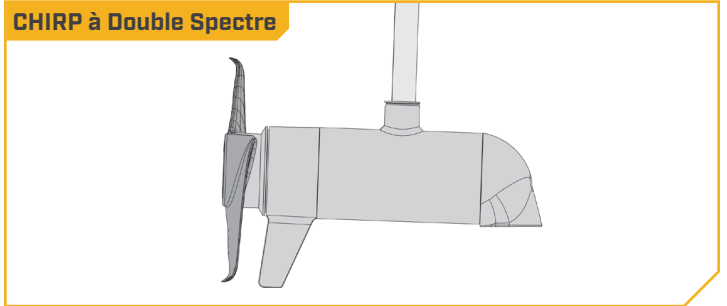
Le CHIRP à double spectre de Humminbird vous offre une capacité de spectre complet, ainsi que la possibilité de sélectionner vos propres fréquences de début et de fin en fonctionnant dans deux modes différents. Mode large pour une couverture maximale et mode étroit pour un maximum de détails. Le mode large vous permet de rechercher en profondeur et en largeur. Il est utilisé pour observer votre leurre pendant la pêche au jig vertical ou pour obtenir une vue plus large en eau peu profonde. Le mode étroit est utilisé pour se concentrer sur les petites choses qui font une grande différence. Le mode étroit offre une perspective précise de l'eau en dessous, vous aidant à cibler des poissons individuels ou à identifier les poissons cachés dans des structures et / ou proches du fond. Caractéristiques du CHIRP à double spectre :

SÉPARATION SUPÉRIEURE DES CIBLES - Séparer les poissons de leur habitat, c'est le nerf de la guerre. Et maintenant, vous serez en mesure de faire plus facilement la différence entre le poisson-appât et le poisson-gibier et la structure et la végétation à proximité.

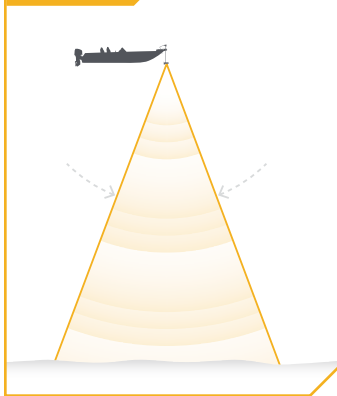
ARCHES DE POISSON CLAIREMENT DÉFINIES - Nous avons de mauvaises nouvelles pour votre ennemi juré. Les poissons de gros gibier apparaîtront sur votre écran sous forme d'arcs longs et bien définis, pour une identification rapide et une présentation précise des leurres.

RETOURS FORTS SANS BRUIT - Arrêtez de voir des choses qui n'existent pas. Un rapport signal / bruit élevé se traduit par des cibles mieux définies, moins d'encombrement et une plus grande certitude que ce que vous voyez à l'écran est légitime.

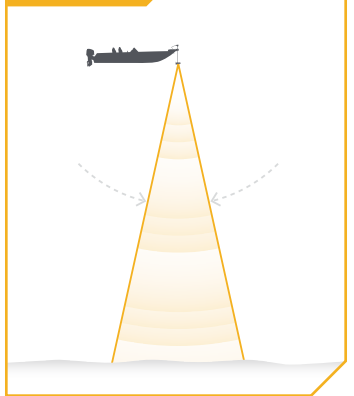
CHIRP à Double Spectre



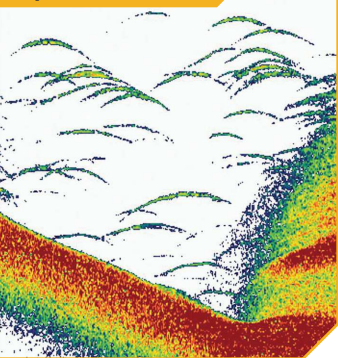
Mode large



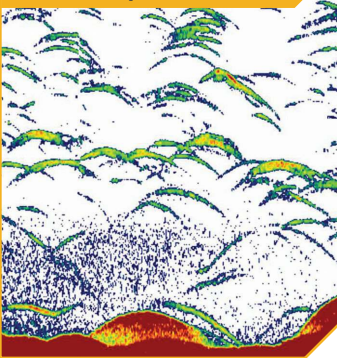
Mode étroit



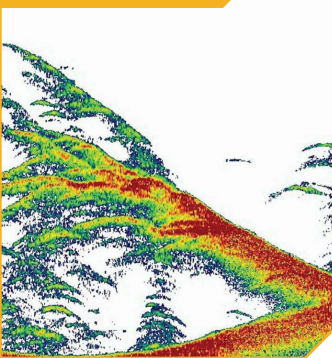
Séparation de cible



Arches de poisson définis



Des retours solides



La conception intégrée du transducteur CHIRP à double spectre le protège dans l'unité inférieure du moteur de pêche à la traîne contre les dangers sous-marins et évite les enchevêtrements et les dommages aux câbles du transducteur. Dans certains cas, des bulles d'air peuvent adhérer à la surface du transducteur CHIRP à double spectre et nuire au rendement. Si cela se produit, essayez simplement la surface du transducteur à l'aide de votre doigt.

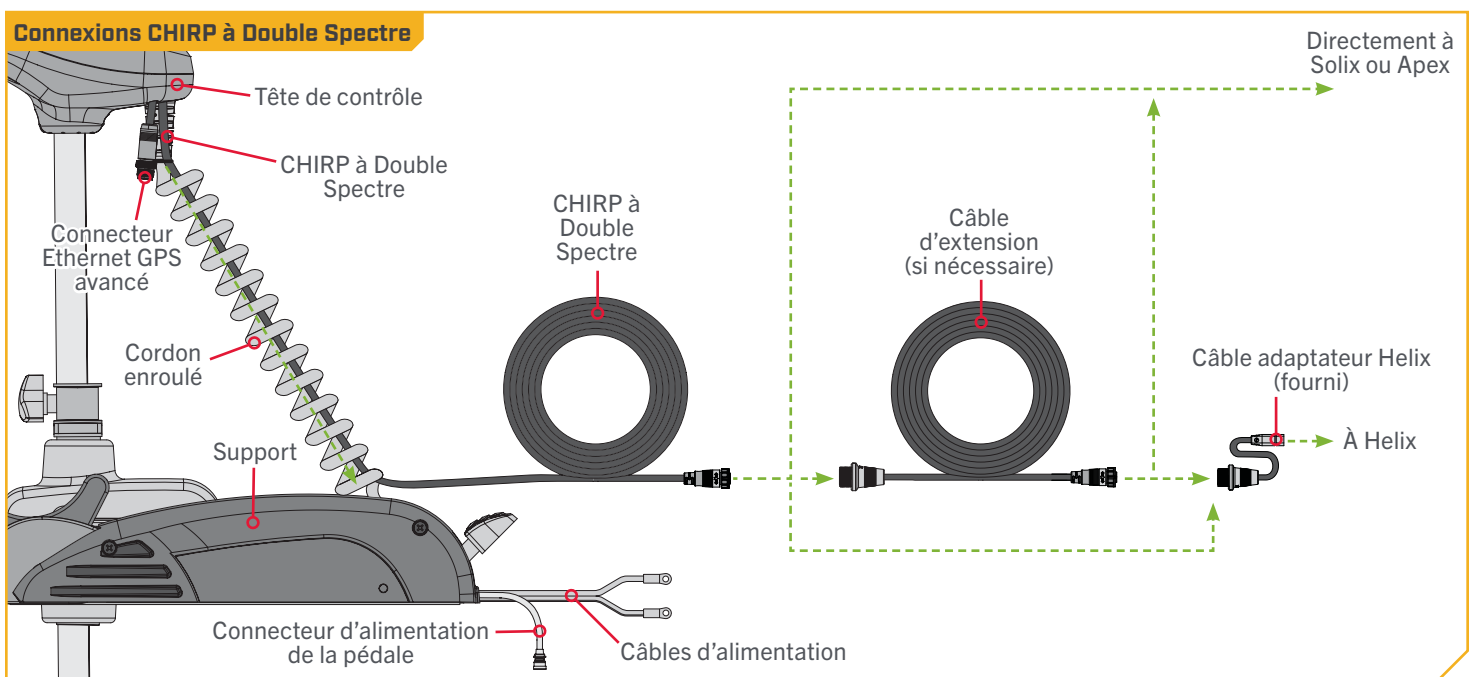
› Considérations relatives à la connexion et au routage du CHIRP à Double Spectre

Si le CHIRP à double spectre est préinstallé sur votre moteur de pêche à la traîne, un câble accessoire CHIRP à double spectre sortira de la base de la tête de contrôle et descendra au centre du cordon enroulé. Le CHIRP à double spectre nécessite que des câbles soient connectés à un périphérique de sortie tel qu'un détecteur de poissons Humminbird^{MD}. Le câble CHIRP à double spectre qui sort du cordon enroulé est « prêt pour Apex et Solix ». La connexion du moteur de pêche à la traîne équipé d'un transducteur CHIRP à double spectre à un détecteur de poissons compatible vous donne une vue sonar 2D de ce qui se passe directement sous votre moteur de pêche à la traîne. Pour déterminer si votre détecteur de poissons est compatible avec le CHIRP à double spectre, veuillez visiter minnkota.johnsonoutdoors.com pour vérifier la compatibilité. Le câble CHIRP à double spectre du moteur de pêche à la traîne peut être branché directement sur un Solix ou un Apex, directement sur un câble d'extension ou directement sur un câble adaptateur Helix de Humminbird^{MD}.

CÂBLES D'EXTENSION - Le câble CHIRP à double spectre du moteur de pêche à la traîne peut ne pas être assez long pour atteindre votre détecteur de poissons. Si la longueur du câble n'est pas suffisante pour atteindre l'emplacement désiré du détecteur de poissons, une rallonge est disponible. Un câble d'extension de 10 pieds (3 mètres) (**EC M3 14W10 - câble d'extension de transducteur de 10 pi (3 m) - 720106-1**) et un câble d'extension de 30 pieds (9,1 mètres) (**EC M3 14W30 - câble d'extension de transducteur de 30 pi (9,1 m) - 720106-2**) sont disponibles sur humminbird.johnsonoutdoors.com. Les câbles d'extension de 10 pieds et de 30 pieds (3 mètres et 9,1 mètres) sont également livrés « prêts pour Apex et Solix ». Les câbles d'extension peuvent se brancher directement sur un Solix ou un Apex ou directement sur un câble adaptateur Helix.

CÂBLES ADAPTATEURS HELIX DE HUMMINBIRD - Si vous vous connectez à un détecteur de poissons Humminbird^{MD} Helix, un accessoire de câble adaptateur est inclus qui permettra la connexion de tout détecteur de poissons Humminbird^{MD} Helix compatible. Le câble adaptateur Helix se branche directement sur le détecteur de poissons Helix.

AUTRES CÂBLES ADAPTATEURS POUR DÉTECTEUR DE POISSONS - Si vous vous connectez à d'autres détecteurs de poissons sur le marché, vérifiez la compatibilité ou les câbles adaptateurs requis en ligne sur minnkota.johnsonoutdoors.com.



CHIRP À DOUBLE SPECTRE

Tous les moteurs CHIRP à double spectre Terrova sont équipés d'un fil de liaison interne. Un mauvais raccordement risque de causer des interférences sonar et peut endommager votre moteur de pêche à la traîne, vos composants électroniques et d'autres accessoires du bateau. Pour réduire les interférences causées par le moteur de pêche à la traîne, assurez-vous que le détecteur de poissons et le moteur de pêche à la traîne sont actionnés par des batteries indépendantes. Veuillez consulter la section « Installation de la batterie et du câblage » de ce manuel pour les instructions de montage correctes. Consultez la section « Schéma de câblage du moteur » du manuel du propriétaire Terrova, disponible en ligne à l'adresse minnkota.johnsonoutdoors.com.

Le câbles CHIRP à double spectre sont blindés de sorte à réduire les interférences. Pour protéger ce blindage, il est recommandé de ne pas serrer fermement les câbles contre des coins vifs ni des objets durs. Si des attache-fils sont utilisées, évitez de trop serrer. Tout surplus de câble devrait être enlacé en une boucle lâche d'au moins 4 po (10 cm) de diamètre. Le câble de connexion doit être acheminé vers le détecteur de poissons en suivant les recommandations de Minn Kota sur l'acheminement des câbles afin d'optimiser et de maximiser la fonctionnalité. Suivez les instructions ci-dessous pour terminer toutes les connexions, puis suivez les instructions de « Fixation des câbles accessoires » pour terminer l'installation du câble de sortie.

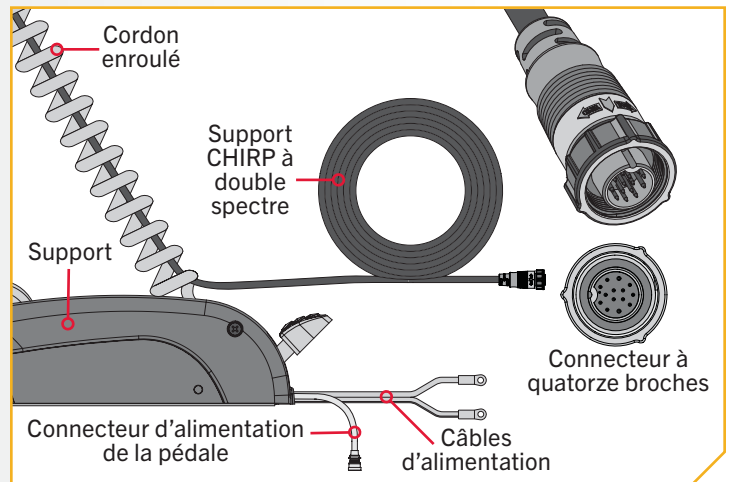
ATTENTION

Le non-respect de l'acheminement des câbles recommandé pour les fonctionnalités installées, le cas échéant, peut endommager le produit et annuler la garantie de votre produit. Acheminez les câbles en évitant les points de pincement et les autres zones qui pourraient faire en sorte que les câbles soient pliés à des angles aigus. Effectuer l'acheminement des câbles d'une toute autre façon que celle dictée peut entraîner des dommages aux câbles par un pincement ou sectionnement. Ne pas trop serrer les attache-fils, ce qui risquerait d'endommager les câbles.

1

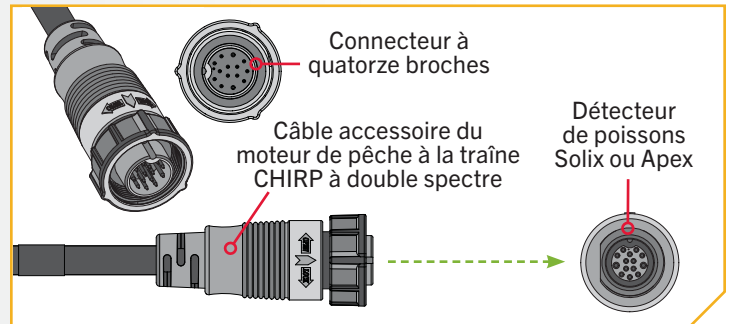
AVIS : Votre détecteur de poissons doit être éteint jusqu'à ce que cette procédure soit terminée.

- a. Placez le moteur dans la position déployée.
- b. Localisez le connecteur à quatorze broches à l'extrémité du câble accessoire CHIRP à double spectre. Le câble sortira de la base de la tête de contrôle et descendra au centre du cordon enroulé.
- c. Déterminez si la prise à l'extrémité du câble accessoire CHIRP à double spectre sera fixée directement à :
 - 1) un détecteur de poissons Humminbird^{MD} Solix ou Apex,
 - 2) un câble d'extension CHIRP à double spectre,
 - 3) un câble adaptateur Helix ou un câble adaptateur de détecteur de poissons compatible.



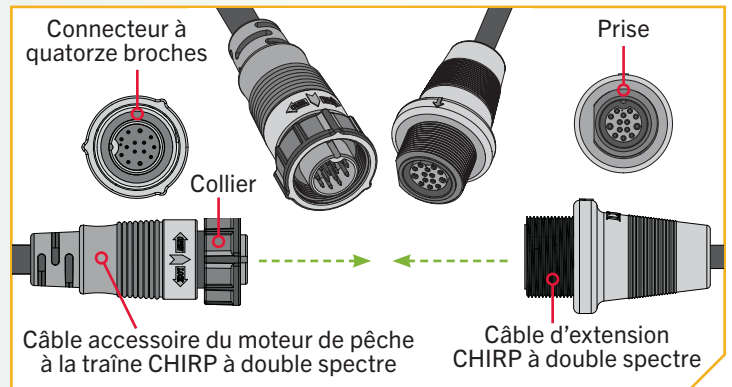
2

- d. Si vous installez directement sur un Solix ou un Apex, la connexion sera plate à l'arrière de l'écran du détecteur de poissons.
- e. Alignez les broches du câble accessoire avec la prise du détecteur de poissons. Remarquez les connecteurs codés. Serrez le collier du câble accessoire pour sécuriser la connexion. Une fois directement qu'il est installé sur le Solix ou l'Apex, la connexion est terminée.



3

- f. En cas d'installation directe sur un câble d'extension CHIRP à Double Spectre, alignez les broches du câble accessoire avec la prise du câble d'extension. Remarquez les connecteurs codés. Serrez le collier du câble accessoire pour sécuriser la connexion.
- g. Si le câble d'extension CHIRP à double spectre est fixé directement à un Humminbird^{MD} Solix ou Apex, la connexion ressemblera exactement à l'installation directement dans un détecteur de poissons Humminbird Solix ou Apex.



AVIS : Un câble d'extension de 10 pieds (3 mètres) (EC M3 14W10 - câble d'extension de transducteur de 10 pi (3 m) - 720106-1) et un câble d'extension de 30 pieds (9,1 mètres) (EC M3 14W30 - câble d'extension de transducteur de 30 pi (9,1 m) - 720106-2) sont disponibles sur humminbird.johnsonoutdoors.com.

CHIRP À DOUBLE SPECTRE

4

ARTICLE(S) REQUIS

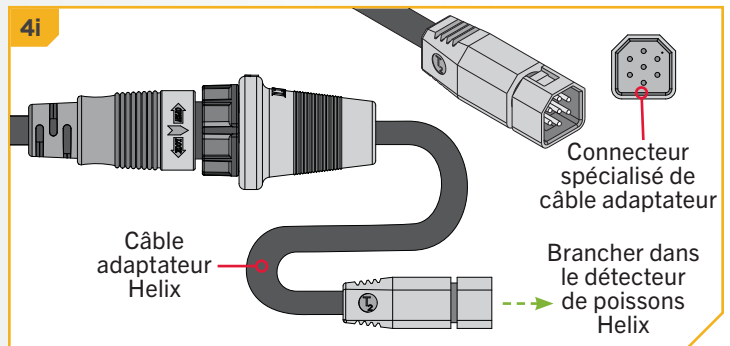
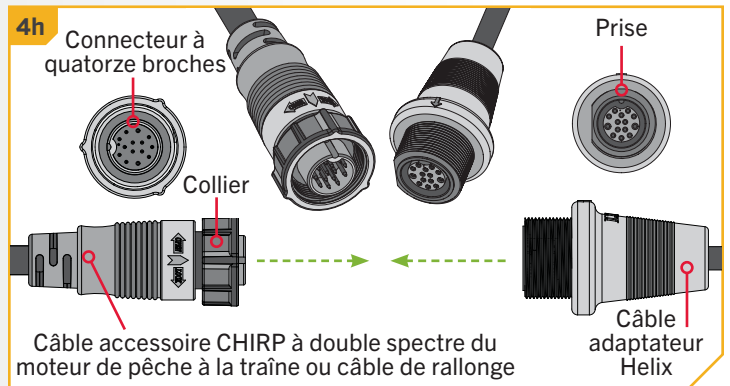


- h. Si vous installez directement sur un câble adaptateur Helix, enlevez les broches du câble accessoire ou du câble d'extension et la prise du câble adaptateur Helix (article n° 17). Remarquez les connecteurs à clé. Serrez le collier du câble accessoire ou du câble de rallonge pour fixer la connexion.
- i. Si le câble adaptateur Helix est fixé directement à un Humminbird^{MD} Helix, branchez-le dans la connexion codée du câble adaptateur Helix à l'arrière du détecteur de poissons.

AVIS : Si vous vous connectez à d'autres détecteurs de poissons sur le marché, vérifiez la compatibilité ou les câbles adaptateurs requis en ligne sur minnkota.johnsonoutdoors.com.

- j. Si le moteur de pêche à la traîne possède plus d'un connecteur externe pour un périphérique de sortie, effectuez la connexion pour cette sortie spécifique, puis suivez les instructions de « Fixation des câbles accessoires » pour terminer l'installation du câble de sortie.

AVIS : Si vous n'êtes pas sûr des fonctionnalités avec lesquelles votre moteur de pêche à la traîne peut être installé et qui nécessitent une connexion à un périphérique de sortie, veuillez consulter la section « Identification des fonctionnalités des moteurs de pêche à la traîne et de leurs câbles associés » de ce manuel.



DOWN IMAGING MEGA INTÉGRÉ >

Le Down Imaging MEGA intégré offre près de trois fois la puissance du Side Imaging^{MD} standard et, pour la toute première fois, amène la détection de poissons dans la plage des mégahertz. Il utilise un faisceau haute fréquence très fin pour créer des images de structure, de végétation et de poissons. Avec le sonar d'imagerie MEGA de Humminbird intégré directement dans le moteur de pêche à la traîne, vous profitez d'une vue parfaitement claire de ce qui se trouve directement sous le bateau, sans avoir à gérer tous les câbles associés aux transducteurs externes. Le transducteur MEGA DI intégré est uniquement disponible avec les nouveaux modèles, en tant qu'équipement installé en usine : on ne peut pas l'ajouter à un moteur de pêche à la traîne existant.

> Considérations relatives à la connexion et au routage du Down Imaging MEGA intégré

Si le Down Imaging MEGA intégré est préinstallé sur votre moteur de pêche à la traîne, un câble d'accessoire Down Imaging MEGA intégré sortira de la base de la tête de contrôle et descendra au centre du cordon enroulé. Le Down Imaging MEGA intégré nécessite que des câbles soient connectés à un périphérique de sortie tel qu'un détecteur de poissons Humminbird^{MD}. Le câble du Down Imaging MEGA intégré qui sort du cordon enroulé est « prêt pour Apex et Solix ». La connexion du moteur de pêche à la traîne équipé d'un transducteur Down Imaging MEGA intégré à un détecteur de poissons compatible vous donne une vue sonar 2D de ce qui se passe directement sous votre moteur de pêche à la traîne. Pour déterminer si votre détecteur de poissons est compatible avec le Down Imaging MEGA intégré, veuillez visiter minnkota.johnsonoutdoors.com pour vérifier la compatibilité. Le câble Down Imaging MEGA intégré du moteur de pêche à la traîne peut être branché directement sur un Solix ou un Apex, directement sur un câble d'extension ou directement sur un câble adaptateur Helix de Humminbird^{MD}.

CÂBLES D'EXTENSION - Le câble Down Imaging MEGA intégré du moteur de pêche à la traîne peut ne pas être assez long pour atteindre votre détecteur de poissons. Si la longueur du câble n'est pas suffisante pour atteindre l'emplacement désiré du détecteur de poissons, une rallonge est disponible. Un câble d'extension de 10 pieds (3 mètres) (**EC M3 14W10 - câble d'extension de transducteur de 10 pi (3 m) - 720106-1**) et un câble d'extension de 30 pieds (9,1 mètres) (**EC M3 14W30 - câble d'extension de transducteur de 30 pi (9,1 m) - 720106-2**) sont disponibles sur humminbird.johnsonoutdoors.com. Les câbles d'extension de 10 pieds et de 30 pieds (3 mètres et 9,1 mètres) sont également livrés « prêts pour Apex et Solix ». Les câbles d'extension peuvent se brancher directement sur un Solix ou un Apex ou directement sur un câble adaptateur Helix.

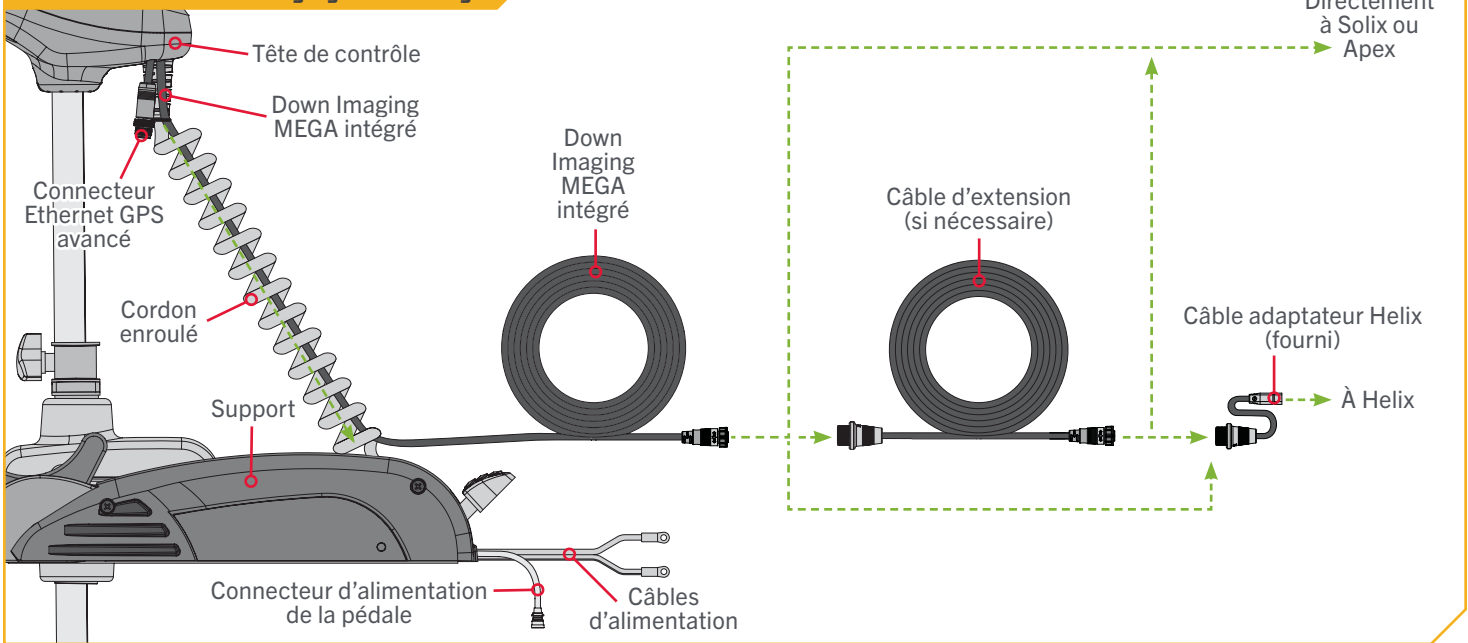
CÂBLES ADAPTATEURS HELIX DE HUMMINBIRD - En cas de connexion à un détecteur de poissons Humminbird^{MD} Helix, un accessoire de câble adaptateur est inclus à l'achat qui permettra la connexion de tout détecteur de poissons Humminbird^{MD} Helix compatible. Le câble adaptateur Helix se branche directement sur le détecteur de poissons Helix.

AUTRES CÂBLES ADAPTATEURS POUR DÉTECTEUR DE POISSONS - Si vous vous connectez à d'autres détecteurs de poissons sur le marché, vérifiez la compatibilité ou les câbles adaptateurs requis en ligne sur minnkota.johnsonoutdoors.com.

AVIS : Vous ne pouvez afficher le Down Imaging qu'avec un modèle de série MEGA DI ou MEGA SI HELIX G2N, G3N ou G4N et un adaptateur requis, ou tout modèle de série SOLIX ou APEX. Le transducteur intégré ne peut pas assurer le MEGA Imaging pour les modèles Humminbird qui ne possèdent pas déjà la capacité. Si vous avez un G2/G2N, un G3/G3N ou un G4/G4N HELIX autre qu'un modèle MEGA SI ou MEGA DI, le transducteur vous offrira tout de même le sonar numérique 2D CHIRP double spectre. Les unités SOLIX G1, HELIX G2 et G2N doivent fonctionner sur la toute dernière mise à jour logicielle pour pouvoir afficher le sonar à partir des moteurs avec le MEGA Imaging intégré. Vous pouvez obtenir en ligne la toute dernière version du logiciel pour votre détecteur de poissons sur humminbird.johnsonoutdoors.com. Les modèles HELIX G1 et les autres marques de détecteurs de poissons ne prennent pas en charge le MEGA Imaging intégré.

DOWN IMAGING MEGA INTÉGRÉ

Connexions du Down Imaging MEGA intégré



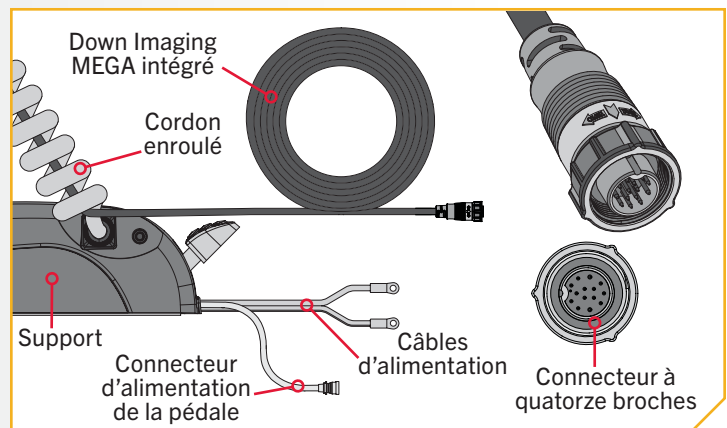
⚠ ATTENTION

Le non-respect de l'acheminement des câbles recommandé pour les fonctionnalités installées, le cas échéant, peut endommager le produit et annuler la garantie de votre produit. Acheminez les câbles en évitant les points de pincement et les autres zones qui pourraient faire en sorte que les câbles soient pliés à des angles aigus. Effectuer l'acheminement des câbles d'une toute autre façon que celle dictée peut entraîner des dommages aux câbles par un pincement ou sectionnement. Ne pas trop serrer les attache-fils, ce qui risquerait d'endommager les câbles.

1

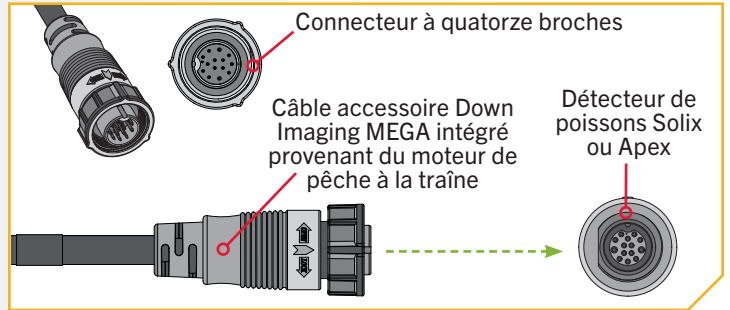
AVIS : Votre détecteur de poissons doit être éteint jusqu'à ce que cette procédure soit terminée.

- Placez le moteur dans la position déployée.
- Localisez le connecteur à quatorze broches à l'extrémité du câble accessoire du Down Imaging MEGA intégré. Le câble sortira de la base de la tête de contrôle et descendra au centre du cordon enroulé.
- Déterminez si la prise à l'extrémité du câble accessoire du Down Imaging MEGA intégré sera fixée directement à :
 - un détecteur de poissons Humminbird^{MD} Solix ou Apex,
 - un câble d'extension Down Imaging MEGA intégré,
 - un câble adaptateur Helix ou un câble adaptateur de détecteur de poissons compatible.



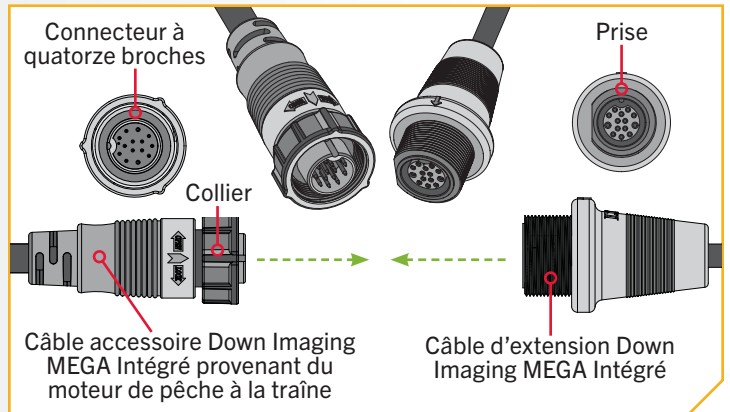
2

- d. Si vous installez directement sur un Solix ou un Apex, la connexion sera plate à l'arrière de l'écran du détecteur de poissons.
- e. Alignez les broches du câble accessoire avec la prise du détecteur de poissons. Remarquez les connexions codées. Serrez le collier du câble accessoire pour sécuriser la connexion. Une fois directement qu'il est installé sur le Solix ou l'Apex, la connexion est terminée.



3

- f. En cas d'installation directe sur un câble d'extension Down Imaging MEGA intégré, alignez les broches du câble accessoire avec la prise du câble d'extension. Remarquez les connecteurs codés. Serrez le collier du câble accessoire pour sécuriser la connexion.
- g. Si le câble d'extension Down Imaging MEGA intégré est fixé directement à un Humminbird^{MD} Solix ou Apex, la connexion ressemblera exactement à l'installation directement dans un détecteur de poissons Humminbird Solix ou Apex.



AVIS : Un câble d'extension de 10 pieds (3 mètres) (EC M3 14W10 - câble d'extension de transducteur de 10 pi (3 m) - 720106-1) et un câble d'extension de 30 pieds (9,1 mètres) (EC M3 14W30 - câble d'extension de transducteur de 30 pi (9,1 m) - 720106-2) sont disponibles sur humminbird.johnsonoutdoors.com

DOWN IMAGING MEGA INTÉGRÉ

4

ARTICLE(S) REQUIS

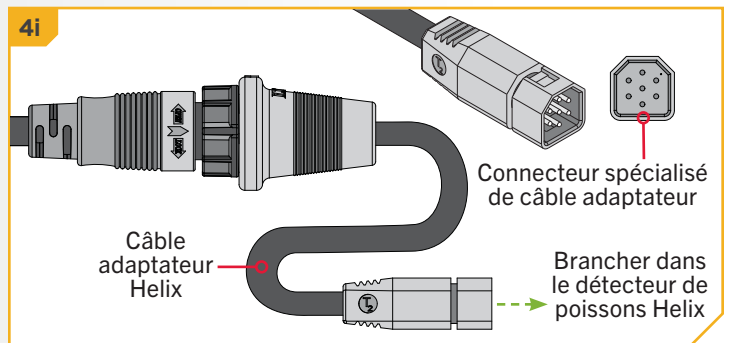
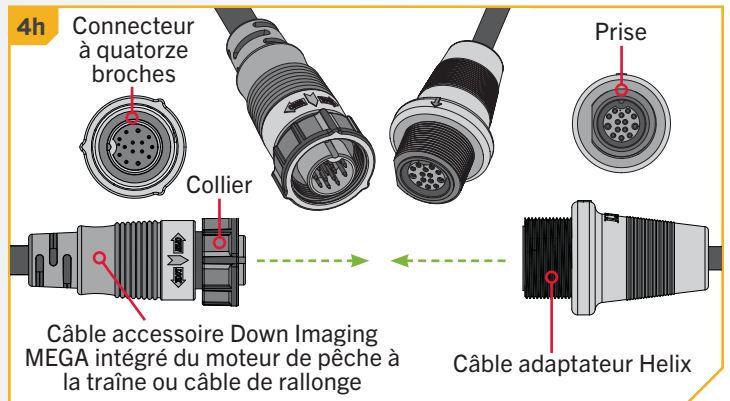


- h. Si vous installez directement sur un câble adaptateur Helix, enlevez les broches du câble accessoire ou du câble d'extension et la prise du câble adaptateur Helix (article n° 17). Remarquez les connecteurs à clé. Serrez le collier du câble accessoire ou du câble de rallonge pour fixer la connexion.
- i. Si le câble adaptateur Helix est fixé directement à un Humminbird^{MD} Helix, branchez-le dans la connexion codée du câble adaptateur Helix à l'arrière du détecteur de poissons.

AVIS : Si vous vous connectez à d'autres détecteurs de poissons sur le marché, vérifiez la compatibilité ou les câbles adaptateurs requis en ligne sur minnkota.johnsonoutdoors.com.

- j. Si le moteur de pêche à la traîne possède plus d'un connecteur externe pour un périphérique de sortie, effectuez la connexion pour cette sortie spécifique, puis suivez les instructions de « Fixation des câbles accessoires » pour terminer l'installation du câble de sortie.

AVIS : Si vous n'êtes pas sûr des fonctionnalités avec lesquelles votre moteur de pêche à la traîne peut être installé et qui nécessitent une connexion à un périphérique de sortie, veuillez consulter la section « Identification des fonctionnalités des moteurs de pêche à la traîne et de leurs câbles associés » de ce manuel.



NAVIGATION GPS AVANCÉE >

Votre moteur de pêche à la traîne Minn Kota et le détecteur de poissons Humminbird communiquent entre eux pour changer votre façon de pêcher. La navigation GPS avancée offre un large éventail de fonctionnalités, notamment le contrôle de la vitesse, de la direction, de Spot-Lock et de la possibilité d'enregistrer et de retracer des chemins sur l'eau, le tout à portée de main. Pour en savoir plus sur les capacités GPS offertes avec votre nouveau moteur, veuillez consulter le manuel du propriétaire de la navigation GPS avancée en visitant minnkota.johnsonoutdoors.com.

La télécommande sans fil et le contrôleur GPS constituent le système de navigation GPS avancé. Une télécommande sans fil est jumelée au contrôleur en usine. Le contrôleur GPS contient une boussole très sensible et assure la réception de tous les signaux des satellites GPS et de la télécommande. Le contrôleur GPS se trouve dans la tête de contrôle du moteur de pêche à la traîne et est connecté à un détecteur de poissons grâce à un câble de connexion sortant de la tête de contrôle. Si le système de navigation GPS avancé est utilisé avec un détecteur de poissons, la liaison Ethernet entre le moteur de pêche à la traîne et le détecteur de poissons doit être connectée.

> Considérations relatives à la connexion et au routage Navigation GPS avancée

Si la navigation GPS avancée est préinstallée sur votre moteur de pêche à la traîne, un connecteur Ethernet GPS avancé à huit broches sortira de la base de la tête de contrôle et pendra juste en dessous de la tête de contrôle à côté du cordon enroulé. Si la navigation GPS avancée du moteur de pêche à la traîne est utilisée avec un détecteur de poissons, un câble Ethernet devra être connecté au connecteur Ethernet GPS avancé sous la tête de contrôle. Tenez compte de la distance entre le moteur de pêche à la traîne et le détecteur de poissons pour déterminer comment effectuer la connexion Ethernet.

CÂBLES ETHERNET - Minn Kota fournit un câble Ethernet de 30 pieds (9,1 mètres) (**AS EC 30E - câble Ethernet de 30 pieds (9,1 mètres) - 720073-4**) avec chaque moteur de pêche à la traîne équipé d'une navigation GPS avancée. Le câble Ethernet de 30 pieds (9,1 mètres) accueillera une connexion Ethernet standard pour la plupart des installations à un détecteur de poissons Humminbird et est « prêt pour Apex et Solix ». Si la distance entre le moteur de pêche à la traîne et le détecteur de poissons Humminbird est relativement courte et qu'un câble plus court est préférable, d'autres longueurs de câble sont disponibles sur humminbird.johnsonoutdoors.com. Ces options incluent :

- 10 pieds (3 mètres) - (**AS EC 10E - Câble Ethernet 10 pi (3 m) - 720073-2**)
- 15 pieds (4,6 mètres) - (**AS EC 15E - Câble Ethernet 15 pi (4,6 m) - 720073-5**)
- 20 pieds (6,1 mètres) - (**AS EC 20E - Câble Ethernet 20 pi (6,1 m) - 720073-3**)

Chaque longueur de câble Ethernet se branche directement sur un Solix ou un Apex ou directement sur un câble adaptateur Helix.

CÂBLES ADAPTATEURS HUMMINBIRD HELIX - Minn Kota fournit un câble adaptateur Helix (**AS EC QDE - câble adaptateur Ethernet - 720074-1**) avec chaque moteur de pêche à la traîne équipé de la navigation GPS avancée. Si la connexion Ethernet est établie entre le moteur de pêche à la traîne et n'importe quel détecteur de poissons Humminbird^{MD} Helix, le câble adaptateur Helix doit être utilisé. Le câble adaptateur Helix connecte directement le câble Ethernet à un détecteur de poissons Helix.

CÂBLES D'EXTENSION ETHERNET - Si le câble Ethernet de 30 pieds (9,1 mètres) fourni avec votre moteur de pêche à la traîne avec navigation GPS avancée n'est pas assez long pour atteindre le détecteur de poissons, un câble d'extension Ethernet doit être utilisé. Le câble d'extension Ethernet est disponible sur humminbird.johnsonoutdoors.com et est disponible dans une longueur de 30 pieds (9,1 mètres) (**AS ECX 30E - Câble d'extension Ethernet 30 pi (9,1 m) - 760025-1**). Le câble d'extension Ethernet se branche directement sur n'importe quelle longueur de câble Ethernet.

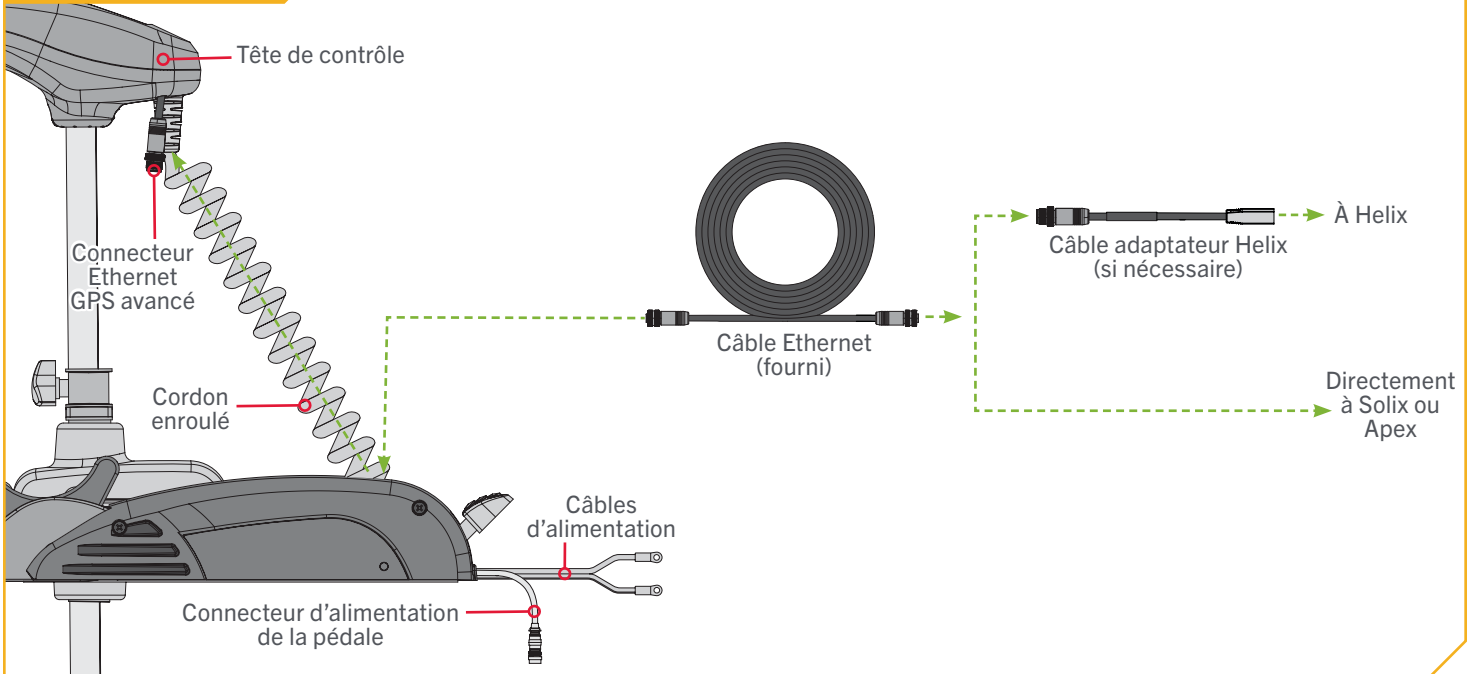
AVIS : Minn Kota recommande de faire passer le câble Ethernet ou le câble d'extension Ethernet à travers le cordon enroulé lors de la connexion Ethernet. Les câbles seront installés du support à la tête de contrôle via le cordon enroulé et parallèlement à tout câble CHIRP à double spectre ou Down Imaging MEGA intégré. Il n'est pas recommandé de contourner le cordon enroulé lors de l'acheminement du câble Ethernet ou du câble d'extension Ethernet.

ATTENTION

Le non-respect de l'acheminement des câbles recommandé pour les fonctionnalités installées, le cas échéant, peut endommager le produit et annuler la garantie de votre produit. Acheminez les câbles en évitant les points de pincement et les autres zones qui pourraient faire en sorte que les câbles soient pliés à des angles aigus. Effectuer l'acheminement des câbles d'une toute autre façon que celle dictée peut entraîner des dommages aux câbles par un pincement ou sectionnement. Ne pas trop serrer les attache-fils, ce qui risquerait d'endommager les câbles.

NAVIGATION GPS AVANCÉE

Connexion Ethernet GPS

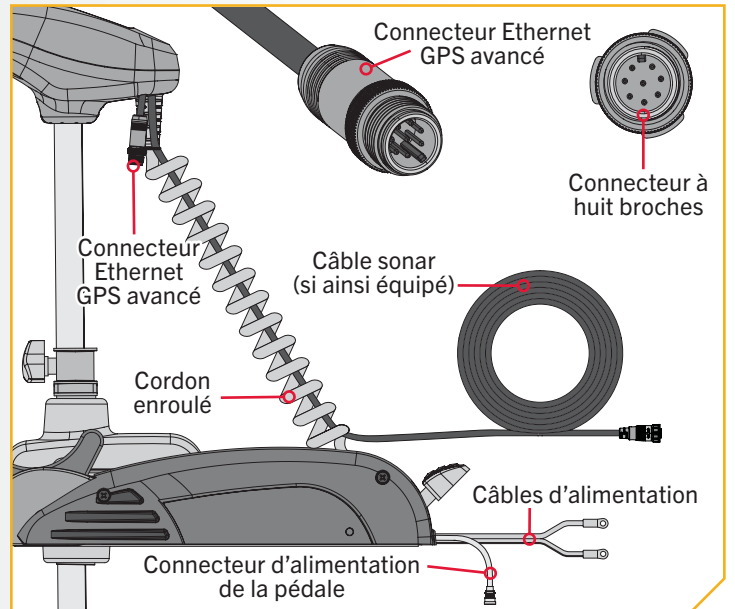


1

AVIS : Votre détecteur de poissons doit être éteint jusqu'à ce que cette procédure soit terminée.

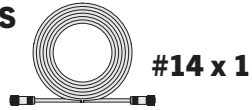
- Placez le moteur dans la position déployée.
- Localisez le connecteur Ethernet GPS avancé à huit broches sous la tête de contrôle. Le connecteur Ethernet GPS avancé sortira de la base de la tête de contrôle et reposera juste en dessous de la tête de contrôle à côté du cordon enroulé.

AVIS : Les moteurs de pêche à la traîne Terrova avec navigation GPS avancée peuvent également être équipés d'un sonar. Le sonar est préinstallé en usine et peut être soit CHIRP à double spectre ou Down Imaging MEGA intégré. S'il est équipé d'un sonar, un câble sonar sera présent sous la tête de contrôle et passera au milieu du cordon enroulé. Consultez la section « Identification des caractéristiques des moteurs de pêche à la traîne et de leurs câbles associés » de ce document pour identifier et en savoir plus sur le sonar.



2

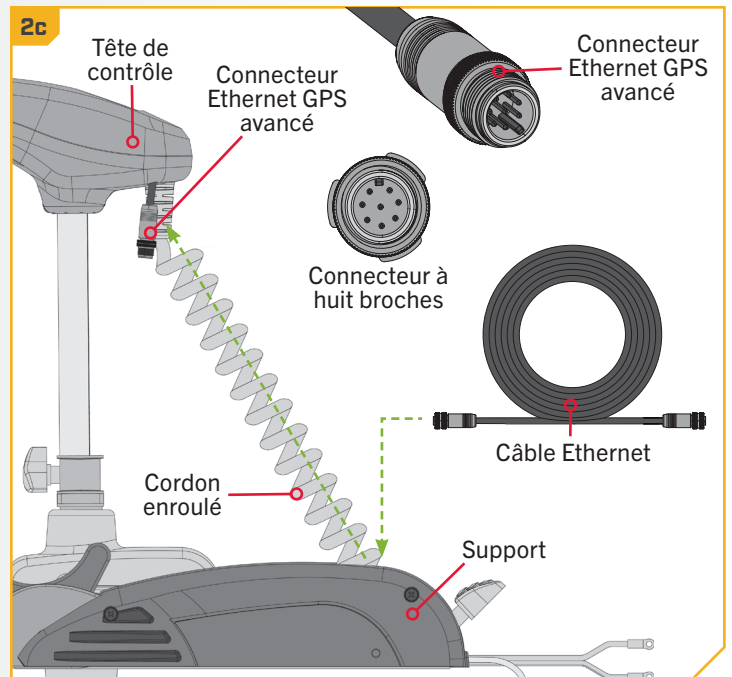
ARTICLE(S) REQUIS



- c. Identifiez la prise codée sur le câble Ethernet (article n° 14). Il sera codé pour s'adapter au connecteur Ethernet GPS avancé à huit broches sous la tête de contrôle.

AVIS : Le câble Ethernet a une prise pour le connecteur Ethernet GPS avancé aux deux extrémités. Chaque extrémité peut être connectée.

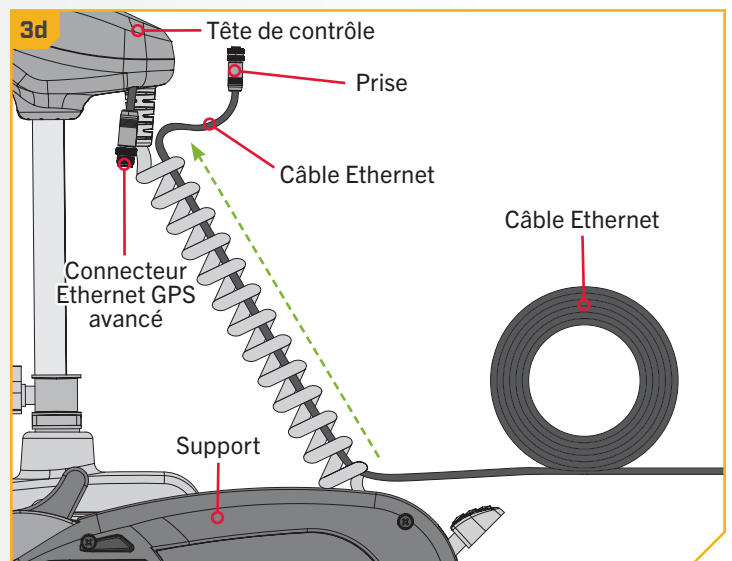
AVIS : Le câble Ethernet de 30 pi (9,1 m) (AS EC 30E – câble Ethernet de 30 pi (9,1 m) – 720073-4) est fourni. D'autres longueurs de câble sont disponibles sur humminbird.johnsonoutdoors.com.



3

- d. S'il N'y a PAS de sonar, prenez la prise du câble Ethernet et faites-la passer à travers le centre du cordon enroulé, en commençant par l'extrémité du cordon enroulé attaché au support et en remontant vers la tête de contrôle. Laissez suffisamment de jeu dans le câble pour fixer la prise au connecteur Ethernet GPS avancé.

AVIS : Minn Kota recommande de faire passer le câble Ethernet à travers le cordon enroulé lors de la connexion Ethernet. Il n'est pas recommandé de contourner le cordon enroulé lors de l'acheminement du câble Ethernet.

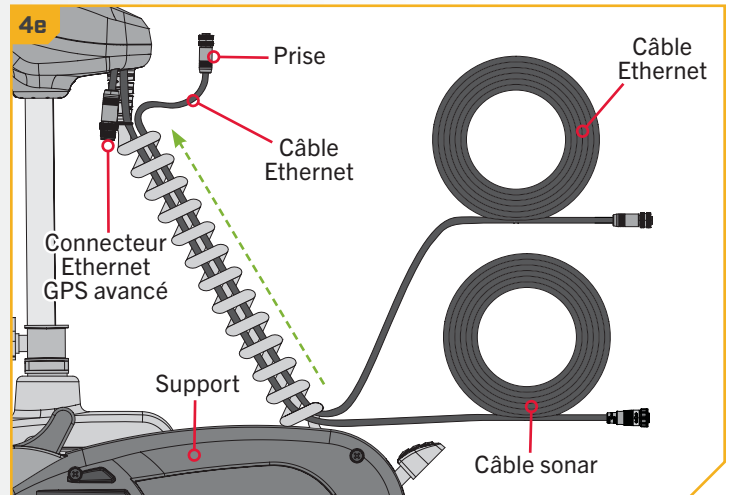


NAVIGATION GPS AVANCÉE

4

- e. S'il y a un sonar, prenez la prise du câble Ethernet et faites-la passer à travers le centre du cordon enroulé, en commençant par l'extrémité du cordon enroulé attaché au support et en remontant vers la tête de contrôle. Le câble Ethernet doit être parallèle au câble sonar. Laissez suffisamment de jeu dans le câble pour fixer la prise au connecteur Ethernet GPS avancé.

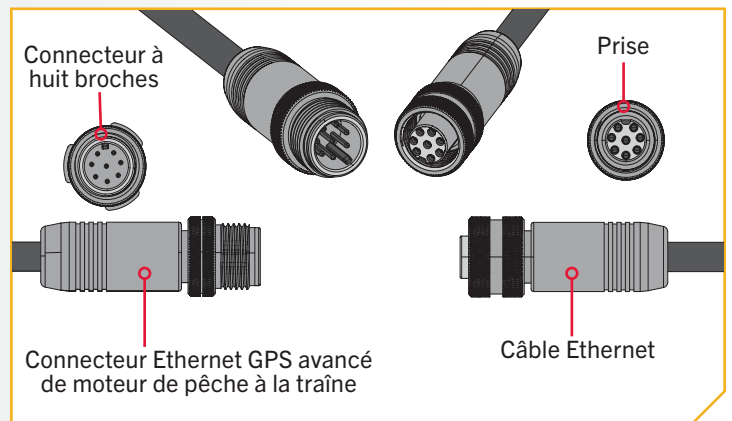
AVIS : Minn Kota recommande de faire passer le câble Ethernet à travers le cordon enroulé lors de la connexion Ethernet. Le câble sera installé du support à la tête de contrôle via le cordon enroulé et parallèlement au câble sonar. Il n'est pas recommandé de contourner le cordon enroulé lors de l'acheminement du câble Ethernet.



5

- f. Pour installer le câble Ethernet, alignez les broches du connecteur Ethernet du GPS avancé avec la prise du câble Ethernet. Remarquez les connecteurs codés. Serrez le collier du câble Ethernet pour sécuriser la connexion.
- g. Le câble Ethernet se branche directement sur un détecteur de poissons Solix ou Helix ou directement sur un câble adaptateur Helix.
- h. Si le moteur de pêche à la traîne possède plus d'une fonction nécessitant une connexion à un périphérique de sortie, effectuez la connexion pour cette sortie spécifique, puis suivez les instructions de « Fixation des câbles accessoires » pour terminer l'installation du câble accessoire.

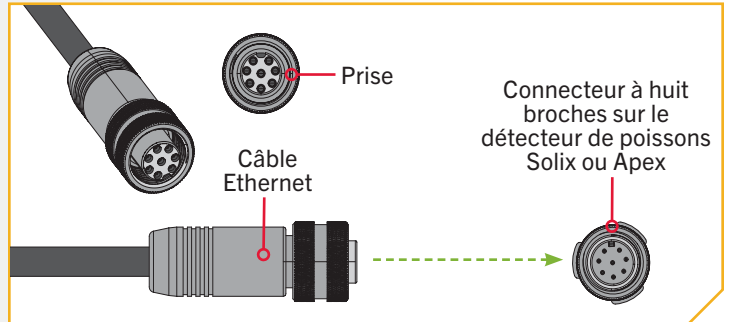
AVIS : Si vous n'êtes pas sûr des fonctionnalités avec lesquelles votre moteur de pêche à la traîne peut être installé et qui nécessitent une connexion à un périphérique de sortie, veuillez consulter la section « Identification des fonctionnalités des moteurs de pêche à la traîne et de leurs câbles associés » de ce manuel.



AVIS : Une rallonge Ethernet de 30 pi (9,1 m) (AS ECX 30E - rallonge Ethernet de 30 pi (9,1 m) - 760025-1) est disponible sur humminbird.johnsonoutdoors.com et doit être utilisée si le câble Ethernet standard de 30 pi (9,1 m) fourni avec le moteur de pêche à la traîne n'est pas assez long pour atteindre le détecteur de poissons.

6

- i. Si vous installez directement sur un Solix ou un Apex, la connexion sera plate à l'arrière de l'écran du détecteur de poissons.
- j. Alignez la prise du câble Ethernet avec le connecteur à huit broches du détecteur de poissons Apex ou Solix. Remarquez les connecteurs codés. Serrez le collier du câble Ethernet pour sécuriser la connexion. Une fois directement installé sur le Solix ou l'Apex, la connexion est terminée.



7

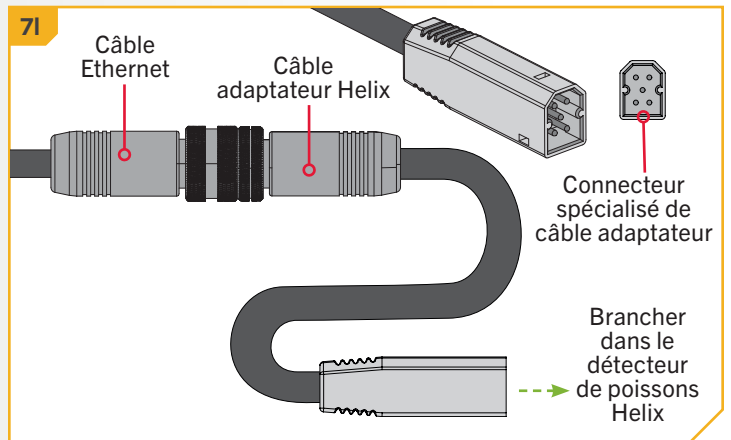
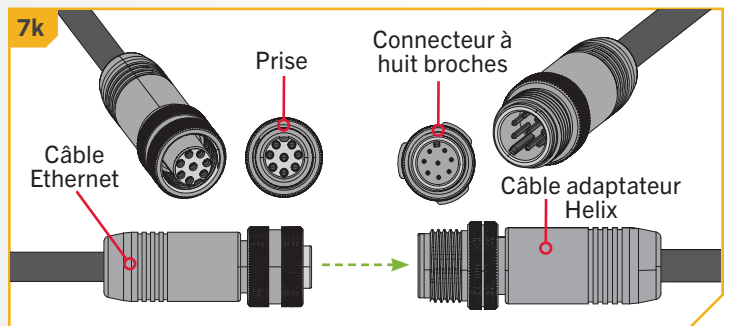
ARTICLE(S) REQUIS

 #15 x 1

- k. Si vous installez directement sur un câble adaptateur Helix (article n° 15), alignez la prise du câble Ethernet avec le connecteur à huit broches du câble adaptateur Helix fourni. Remarquez les connecteurs codés. Serrez le collier du câble Ethernet pour sécuriser la connexion.

AVIS : Minn Kota fournit un câble adaptateur Helix (AS EC QDE - câble adaptateur Ethernet - 720074-1) avec chaque moteur de pêche à la traîne équipé de la navigation GPS avancée.

- l. Le câble adaptateur Helix connecte directement le câble Ethernet à un détecteur de poissons Helix. Localisez le connecteur codé du câble adaptateur Helix à l'arrière du détecteur de poissons. Branchez le câble adaptateur Helix à l'arrière du détecteur de poissons Helix pour terminer la connexion.

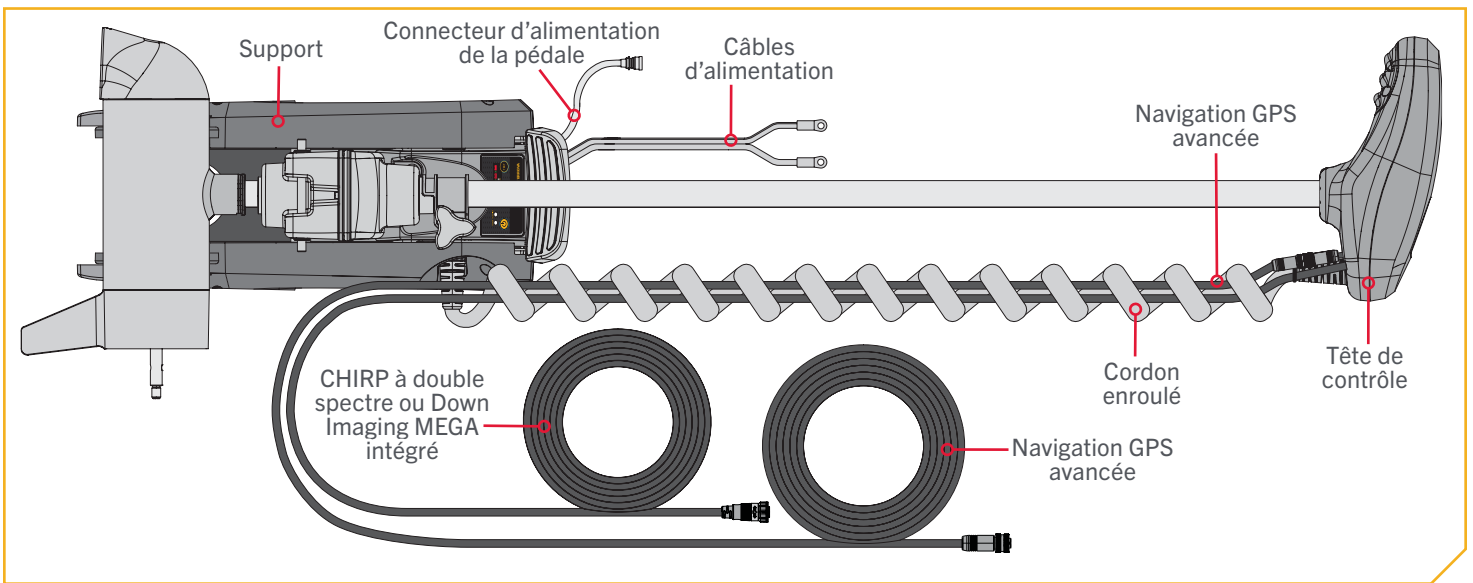


FIXATION DES CÂBLES ACCESSOIRES

» Fixation des câbles accessoires

Avant de fixer les câbles, veuillez consulter la section « Identification des caractéristiques du moteur de pêche à la traîne et de leurs câbles associés » de ce document. Lors de l'identification des fonctions, il est très important de sécuriser les câbles si **deux** connexions sont présentes sous la tête de contrôle. S'il n'y a qu'**un** seul câble sous la tête de contrôle, il n'est pas nécessaire de fixer les câbles accessoires. Tous les câbles accessoires qui seront utilisés sur le moteur de pêche à la traîne doivent être acheminés et toutes les connexions, sécurisées avant de terminer l'installation dans cette section. Pour savoir comment les câbles de fonction doivent être acheminés et connectés, veuillez consulter les sections « Navigation GPS avancée » et « CHIRP à double spectre » ou « Down Imaging MEGA intégré » de ce document.

AVIS : Si un seul câble est présent sous la tête de contrôle, cette installation n'est pas applicable.



⚠ ATTENTION

Le non-respect de l'acheminement des câbles recommandé pour les fonctionnalités installées, le cas échéant, peut endommager le produit et annuler la garantie de votre produit. Acheminez les câbles en évitant les points de pincement et les autres zones qui pourraient faire en sorte que les câbles soient pliés à des angles aigus. Effectuer l'acheminement des câbles d'une toute autre façon que celle dictée peut entraîner des dommages aux câbles par un pincement ou sectionnement. Ne pas trop serrer les attache-fils, ce qui risquerait d'endommager les câbles.

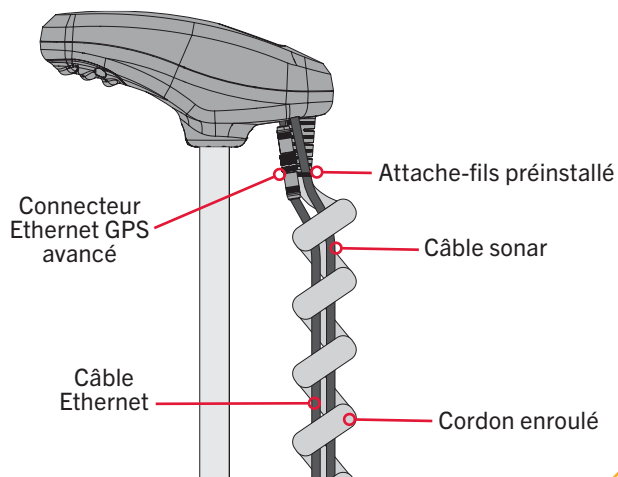
FIXATION DES CÂBLES ACCESSOIRES

1

- a. Placez le moteur dans la position arrimée. Vérifiez que tous les câbles accessoires sont connectés à un périphérique de sortie comme vous le souhaitez.
- b. Pour fixer les câbles accessoires, le câble sonar et le câble Ethernet seront attachés ensemble à l'intérieur du cordon enroulé à l'aide d'attache-fils. Assurez-vous que les câbles accessoires sont parallèles les uns aux autres à l'intérieur du cordon enroulé. Faites passer les câbles accessoires de la tête de contrôle au support, en les gardant droits et parallèles sur toute la longueur.

AVIS : Le câble sonar provient de l'usine fixé au cordon enroulé avec un attache-fils. Gardez l'attache-fils préinstallé en place.

1b



2

ARTICLE(S) REQUIS

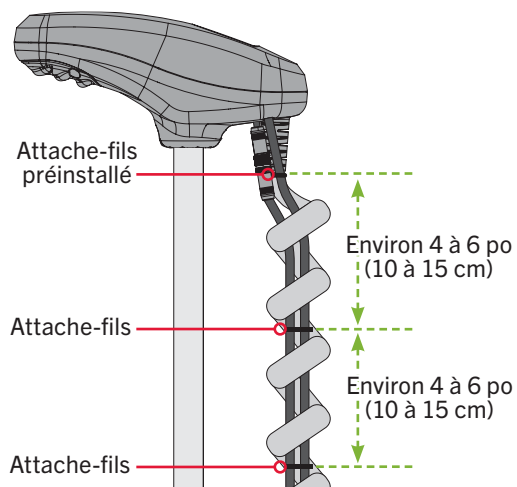
— #16 x 10

- c. En commençant à environ 4 à 6 po (10 à 15 cm) sous l'attache-fils préinstallé, prenez un nouvel attache-fils (article n° 16) et placez-le autour du câble sonar et du câble Ethernet. **NE PAS saisir le cordon enroulé avec l'attache-fils.** Le câble sonar et le câble Ethernet doivent être fixés ensemble avec l'attache-fils, mais flotter librement à l'intérieur du cordon enroulé. Gardez l'attache-fils préinstallé en place.

AVIS : NE fixez PAS les câbles accessoires au cordon enroulé. Fixez SEULEMENT les câbles sonar et Ethernet les uns aux autres à l'aide d'attache-fils.

- d. Fixez l'attache-fils autour des câbles accessoires et serrez-le avec vos doigts. Ne pas trop serrer l'attache-fils, ce qui risquerait d'endommager les câbles.

2c



ATTENTION

Ne pas trop serrer les attache-fils, ce qui risquerait d'endommager les câbles.

› Installation de l'hélice

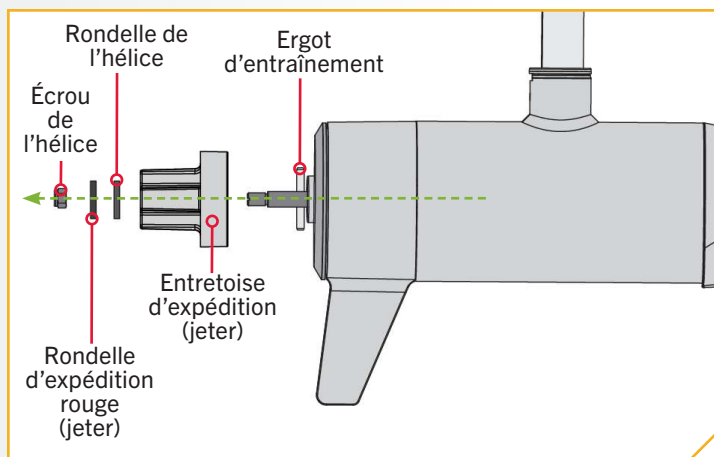
1

ATTENTION

Débranchez le moteur de la batterie avant d'effectuer tout travail ou entretien sur l'hélice.

- a. Tout en tenant l'entretoise d'expédition avec une pince ou un étau, retirez l'écrou d'hélice, la rondelle d'expédition rouge, la rondelle d'hélice et l'entretoise, en faisant attention de ne pas perdre l'ergot d'entraînement. Réutilisez l'écrou d'hélice, la rondelle d'hélice et l'ergot d'entraînement pour fixer l'hélice.

AVIS : L'entretoise d'expédition et la rondelle d'expédition rouge sont uniquement destinées à l'expédition et doivent être jetées. La rondelle d'expédition rouge rouillera si elle est utilisée pour fixer l'hélice.



INSTALLATION DE L'HÉLICE

2

ARTICLE(S) REQUIS



#12 x 1

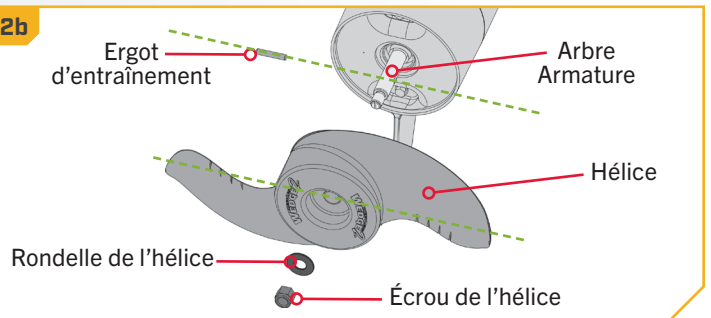
● #10 x 1

⦿ #11 x 1

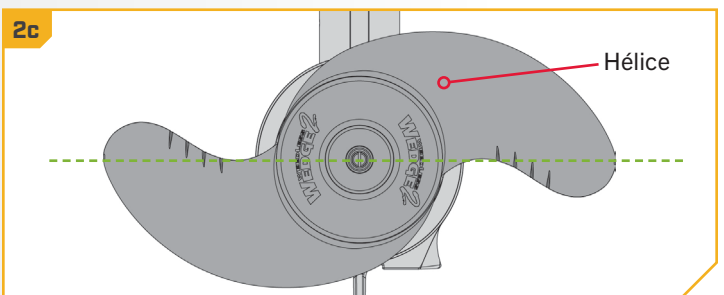
| #9 x 1

- b. Prenez l'ergot d'entraînement (article n° 9) et glissez-le dans l'orifice de l'arbre d'armature. Placez l'ergot d'entraînement à l'horizontale en saisissant l'arbre d'armature et en le tournant avec l'ergot d'entraînement en place.
- c. Alignez l'hélice (article n° 12) de manière à ce qu'elle soit à l'horizontale et parallèle à l'ergot d'entraînement. Glissez l'hélice sur l'arbre d'armature et l'ergot d'entraînement jusqu'à ce qu'elle repose contre l'appareil inférieur.
- d. Installez la rondelle de l'hélice (article n° 10) et l'écrou de l'hélice (article n° 11) sur l'extrémité de l'arbre d'armature.

2b



2c



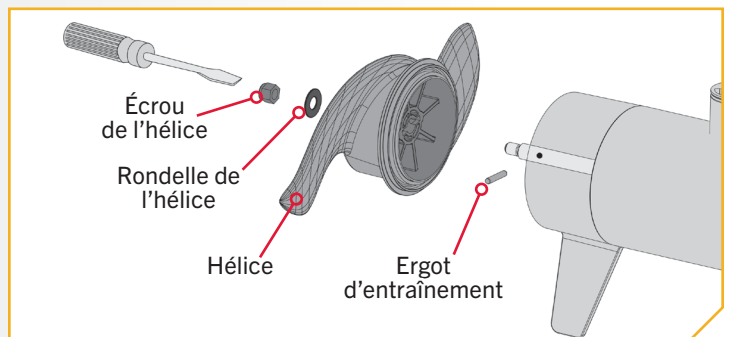
3

- e. En tenant l'extrémité de l'arbre d'armature avec un tournevis à lame plate, serrez l'écrou de l'hélice avec une clé plate 9/16 po (14,29 mm).
- f. Serrez l'écrou d'hélice un quart de tour passé le serrage confortable, à un couple de 25 à 35 po-lb (2,8 à 4 Nm).



ATTENTION

Ne serrez pas trop pour ne pas endommager l'hélice.



INSTALLATION DES BATTERIES ET DU CÂBLAGE

GRÉEMENT DE L'EMBARCATION ET INSTALLATION DU PRODUIT

Pour des raisons de sécurité et de conformité, nous vous recommandons de suivre les normes du conseil américain sur les embarcations et les yachts (ABYC) pour le gréement de l'embarcation. Les altérations dans le câblage de l'embarcation devraient être complétées par un technicien de marine qualifié. Les spécifications suivantes sont seulement des lignes directrices générales:

ATTENTION

Ces lignes directrices s'appliquent au gréement général pour soutenir le moteur de Minn Kota. L'alimentation de multiples moteurs ou d'autres appareils électriques, à partir du même circuit d'alimentation, peut influencer sur le gabarit de conducteurs et le dimensionnement des disjoncteurs recommandé. Pour un fil plus long que celui fourni avec l'appareil, suivre le tableau de dimensionnement de gabarit des conducteurs et des disjoncteurs du tableau ci-dessous. Si la longueur totale de la rallonge est de plus de 25 pi (7,60 m), nous vous recommandons de communiquer avec un technicien maritime qualifié.

ATTENTION

Un dispositif de protection contre la surintensité (disjoncteur ou fusible) doit être utilisé. Les préalables de la garde côtière exigent que chaque conducteur de courant, qui n'est pas fixé, soit protégé par un fusible ou un disjoncteur qui se réinitialise manuellement et qui ne peut se déclencher automatiquement. Le dimensionnement du type (courant et tension de puissance nominale) de fusible ou de disjoncteur doit être choisi en fonction du propulseur électrique utilisé. Le tableau ci-dessous donne les lignes directrices recommandées pour ce qui est du dimensionnement des disjoncteurs.

TABLEAU DES DIMENSIONS DE GABARIT DES CONDUCTEURS ET DISJONCTEURS

Le présent tableau des dimensions de gabarit des conducteurs et disjoncteurs est uniquement valable pour les hypothèses suivantes:

1. Il n'y a pas plus de 2 conducteurs qui sont regroupés à l'intérieur d'une gaine ou d'un conduit à l'extérieur de l'espace moteur.
2. Chaque conducteur est muni d'un isolant d'une température nominale de 105 °C.
3. Aucune chute de tension de plus de 5 % n'est autorisée lorsque le moteur est à plein régime, en fonction des exigences en matière d'alimentation du produit qui ont été publiées.

Modèle/ Poussée du Moteur	Courant Tiré Max	Disjoncteur		Longueur de la Rallonge				
		Amp	Minimum	1.5 mètres	3 mètres	4.5 mètres	6 mètres	7.5 mètres
55 lb.	50	50 Amp	12 VDC	10 mm ²	25 mm ²	35 mm ²	35 mm ²	50 mm ²
80 lb.	56	60 Amp	24 VDC	10 mm ²	16 mm ²	16 mm ²	25 mm ²	35 mm ²
112 lb.	52	60 Amp	36 VDC	10 mm ²	10 mm ²	10 mm ²	16 mm ²	25 mm ²

AVIS : La longueur de la rallonge fait référence à la distance séparant les batteries des fils du propulseur électrique. Consultez le site Web pour connaître les options d'impulsion. Les valeurs d'intensité maximales ont lieu de manière intermittente durant certaines conditions et ne doivent pas être utilisées comme valeur nominale continue.

Référence

Le code des règlements fédéraux des États-Unis : article 183 du titre 33 du CFR - Embarcations et équipements associés ABYC E-11 : systèmes électriques CA et CC sur les embarcations.

SÉLECTIONNER UNE BATTERIE ADÉQUATE

COMMENT SÉLECTIONNER LES BATTERIES ADÉQUATES

Le moteur fonctionnera avec n'importe quelle batterie marine au plomb de 12 volts à décharge poussée. Pour de meilleurs résultats, utilisez une batterie marine à décharge poussée avec ampérage nominal d'au moins 105 ampères/heure. Maintenez la batterie complètement chargée. Un entretien adéquat assurera que le courant sera disponible au moment du besoin et améliorera considérablement la durée de vie de la batterie. Le fait de ne pas recharger les batteries au plomb (dans les 12 à 24 heures) est la principale cause de défaillance prématurée de celles-ci. Utilisez un chargeur multiphase pour éviter une surcharge. Nous offrons une vaste sélection de chargeurs en fonction de vos besoins. Si vous utilisez une batterie à manivelle pour démarrer un moteur hors-bord à essence, nous vous recommandons d'utiliser des batteries marines à décharge poussée séparées pour votre moteur de pêche à la traîne Minn Kota. Pour de plus amples informations sur la sélection et le grément de batteries, veuillez visiter minnkota.johnsonoutdoors.com. Les moteurs de pêche à la traîne Minn Kota peuvent fonctionner avec des batteries au lithium-ion. Cependant, ils sont spécifiquement conçus pour fonctionner sur des batteries au plomb traditionnelles (noyées, AGM ou GEL). Les batteries au lithium-ion restent à des tensions supérieures pendant plus longtemps que les batteries au plomb. Par conséquent, faire tourner un moteur de pêche à la traîne Minn Kota à des vitesses supérieures à 85 % pendant une période prolongée risque d'endommager le moteur de façon permanente.

AVERTISSEMENT

Ne jamais brancher les bornes (+) et (-) de la même batterie ensemble. S'assurer qu'aucun objet métallique ne puisse tomber sur la batterie et provoquer un court-circuit aux bornes. Cela provoquerait immédiatement un court-circuit et un risque extrême d'incendie.

ATTENTION

Il est fortement recommandé d'utiliser un disjoncteur ou un fusible avec ce propulseur électrique. Consulter le « Tableau des dimensions de gabarit des conducteurs et disjoncteurs » dans la section précédente pour trouver le disjoncteur ou fusible approprié convenant à votre moteur. Pour les moteurs nécessitant un disjoncteur de 60-A, le disjoncteur Minn Kota MKR-19 60-A est recommandé.

ATTENTION

Veuillez lire les renseignements suivants avant de connecter votre moteur à vos batteries afin d'éviter d'endommager votre moteur ou d'annuler votre garantie.

AUTRES POINTS À CONSIDÉRER

› Utilisation de chargeurs-onduleurs

Votre moteur de pêche à la traîne Minn Kota peut être conçu avec un fil de masse interne pour réduire les interférences avec d'autres sonars. La plupart des systèmes de charge alternateurs ne tiennent pas compte de ce fil de masse et connectent les bornes négatives des batteries du moteur de pêche à la traîne aux bornes négatives de la batterie à manivelle/de démarrage. Ces connexions externes peuvent endommager les composants électroniques connectés ou le système électrique de votre moteur de pêche à la traîne et ainsi annuler votre garantie. Passez attentivement en revue le manuel de votre chargeur ou consultez son fabricant afin de vous assurer que votre chargeur est compatible avant de l'utiliser.

Minn Kota recommande l'utilisation de chargeurs de marque Minn Kota pour recharger les batteries connectées à votre propulseur électrique Minn Kota, étant donné qu'ils ont été conçus de sorte à fonctionner avec les moteurs dotés d'un fil de masse.

» Accessoires Supplémentaires Connectés aux Batteries du Propulseur électrique

Votre moteur Minn Kota, les composants électroniques de votre bateau ou votre bateau peuvent subir des dommages importants si de mauvaises connexions ont été effectuées entre les batteries de votre propulseur électrique et un autre système de batterie. Minn Kota recommande d'utiliser un système de batterie exclusif pour votre propulseur électrique. Lorsque possible, les accessoires doivent être branchés sur un système de batterie séparé. Les radios et les sonars ne doivent être connectés à aucune batterie du propulseur électrique étant donné que les interférences provenant du propulseur électrique sont inévitables. Lorsque vous connectez un accessoire supplémentaire à l'une des batteries du propulseur électrique, ou lorsque vous effectuez des connexions entre les batteries du propulseur électrique et d'autres systèmes de batterie sur le bateau, assurez-vous de respecter attentivement les indications ci-dessous.

La connexion négative (-) doit être connectée à la borne négative de la même batterie à laquelle la borne négative du propulseur électrique est connectée. Sur le tableau, cette batterie est appelée batterie « côté inférieur ». La connexion à une autre batterie du propulseur électrique fera entrer une tension positive dans la « mise à la terre » de cet accessoire, pouvant causer une corrosion excessive. Tout dommage causé par de mauvaises connexions entre les systèmes de batterie ne sera pas couvert par la garantie.

SYSTÈMES DE DÉMARRAGE D'APPOINT ET COMMUTATEURS

Les systèmes de démarrage d'appoint et les commutateurs relient les bornes négatives des batteries connectées entre elles. La connexion de ces systèmes à la batterie "Côté Supérieur" ou à la batterie "Milieu" risque de causer d'importants dommages à votre propulseur électrique ou aux composants électroniques. La seule batterie du propulseur électrique qui peut être connectée de façon sécuritaire à un de ces systèmes est la batterie "Côté inférieur".

AVIS : Le fil de masse interne est doté d'un fusible de 3 A. Les mauvaises connexions décrites ci-dessus avec une intensité supérieure à 3 A feront sauter ce fusible et aucun autre dommage ne sera exposé. Si cela se produit, les interférences RF du propulseur électrique affectant les sonars et les autres composants électroniques seront plus significatives. Si le fusible saute, il faut trouver le mauvais raccordement et le résoudre avant de remplacer le fusible. Le fusible de rechange devrait être d'un courant de 3 A ou moins. Un fusible intact ne signifie pas un raccordement adéquat; d'importants dommages peuvent être causés par un câblage incorrect sans pour autant que le courant n'approche 3 A.

COMMENT RACCORDER LA BATTERIE

» Systèmes de 12 Volts

1. S'assurer que le moteur est coupé (sélecteur de vitesse sur « 0 »).
2. Raccorder le fil rouge positif (+) à la borne positive (+) de la batterie.
3. Raccorder le fil noir négatif (-) à la borne négative (-) de la batterie.



AVERTISSEMENT

Pour des raisons de sécurité, ne pas allumer le moteur jusqu'à ce que l'hélice soit dans l'eau. Si vous installez un raccordement en fil de plomb, respectez les polarités appropriées et suivez les instructions qui se trouvent dans votre manuel du propriétaire du bateau.

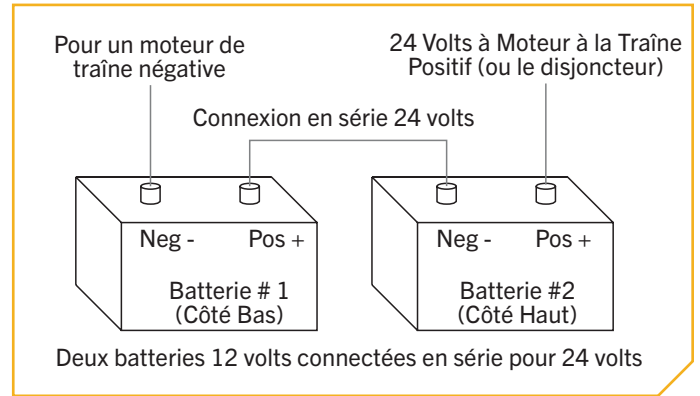
BRANCHER LES BATTERIES EN SÉRIE

BRANCHER LES BATTERIES EN SÉRIE (SI REUIS POUR VOTRE MOTEUR)

› Systèmes de 24 Volts

Deux batteries de 12 volts sont nécessaires. Les batteries doivent être branchées en série, uniquement tel qu'illustré dans le schéma de câblage, afin de fournir 24 volts.

1. Assurez-vous que le moteur est éteint (sélecteur de vitesse sur "0").
2. Branchez un câble de raccordement à la borne positive (+) de la batterie 1 et à la borne négative (-) de la batterie 2.
3. Branchez le fil rouge positif (+) à la borne positive (+) sur la batterie 2.
4. Branchez le fil noir négatif (-) à la borne négative (-) de la batterie 1.



AVERTISSEMENT

Pour des raisons de sécurité, ne pas allumer le moteur jusqu'à ce que l'hélice soit dans l'eau. Si vous installez un raccordement en fil de plomb, respectez les polarités appropriées et suivez les instructions qui se trouvent dans votre manuel du propriétaire du bateau.



AVERTISSEMENT

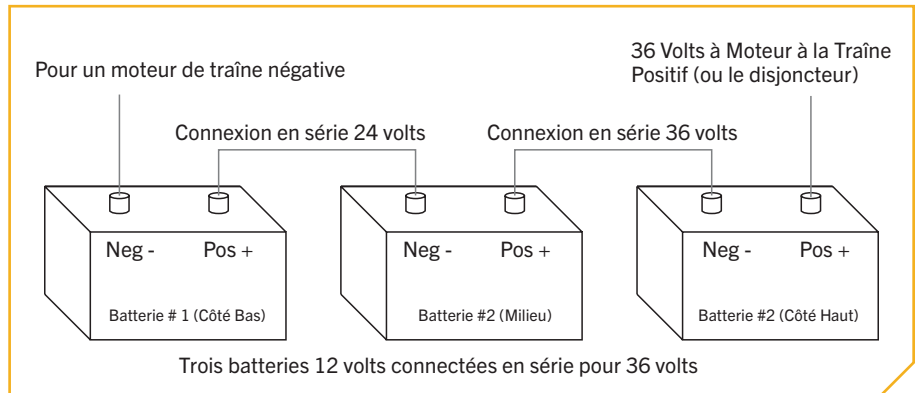
- Pour des raisons de sécurité, débranchez le moteur des batteries lorsque le moteur n'est pas utilisé ou pendant la charge.
- Une mauvaise installation du câblage des systèmes de 24/36 volts pourrait provoquer une explosion des batteries.
- Gardez les écrous papillons des raccordements solides et bien serrés autour des bornes de la batterie.
- Installez la batterie dans un compartiment ventilé.

BRANCHER LES BATTERIES EN SÉRIE

› Systèmes de 36 Volts

Trois batteries de 12 volts sont nécessaires. Les batteries doivent être branchées en série, uniquement tel qu'illustré dans le schéma de câblage, afin de fournir 36 volts.

1. Assurez-vous que le moteur est éteint (sélecteur de vitesse sur "0").
2. Branchez un câble de raccordement à la borne positive (+) de la batterie 1 et à la borne négative (-) de la batterie 2. Branchez autre câble de raccordement à la borne positive (+) de la batterie 2 et à la borne négative (-) de la batterie 3.
3. Branchez le fil rouge positif (+) à la borne positive (+) sur la batterie 3.
4. Branchez le fil noir négatif (-) à la borne négative (-) de la batterie 1.



⚠ AVERTISSEMENT

Pour des raisons de sécurité, ne pas allumer le moteur jusqu'à ce que l'hélice soit dans l'eau. Si vous installez un raccordement en fil de plomb, respectez les polarités appropriées et suivez les instructions qui se trouvent dans votre manuel du propriétaire du bateau.

⚠ AVERTISSEMENT

- Pour des raisons de sécurité, débranchez le moteur des batteries lorsque le moteur n'est pas utilisé ou pendant la charge.
- Une mauvaise installation du câblage des systèmes de 24/36 volts pourrait provoquer une explosion des batteries.
- Gardez le serrage des écrous de papillon de raccordement solide et bien serré autour des bornes de la batterie.
- Installez la batterie dans un compartiment ventilé.

Ceci termine l'installation de votre Terrova. Manuel du propriétaire complet peut être téléchargé à l'adresse minnkota.johnsonoutdoors.com.

ACCESSOIRES RECOMMANDÉS

CHARGEURS DE BATTERIE EMBARQUÉS ET PORTATIFS

Ne plus acheter de nouvelles batteries et commencer à prendre soin de celles déjà en votre possession. Plusieurs chargeurs peuvent en fait endommager les batteries à la longue, pouvant entraîner une autonomie réduite et une durée de vie plus courte. Les chargeurs Minn Kota à commande numérique assurent une charge rapide pour une protection et une durée de vie prolongée.



MK212PCL



MK210D



MK110PD

ANCRE POUR EAUX PEU PROFONDES TALON

Talon est la seule ancre pour eaux peu profondes avec jusqu'à 15 pi (4,6 m) de profondeur d'ancrage, plusieurs modes d'ancrage et le contrôle à partir de la proue, du tableau arrière, de la console, de la télécommande ou d'un appareil mobile.



ÉCLAIRAGE DE TRAVAIL INTÉGRÉ

Vous permet de fixer les lignes et de travailler à partir du tableau arrière à tout moment de la journée, ou de la nuit. Comprend des lumières DEL blanches et bleues avec trois intensités.



JUSQU'À UNE PROFONDEUR DE 15 PI [4,6 M]

Contrôlez plus d'eau et attrapez plus de poissons avec la première ancre de 15 pi (4,6 m) pour eau peu profonde.



CONNECTIVITÉ BLUETOOTH®

Vous permet de contrôler votre Talon à partir de votre appareil mobile, ainsi que le mettre à jour facilement. Elle ouvre aussi la communication à d'autres options de contrôle.



D'AUTRES OPTIONS DE COMMANDE

- Panneau de commande
- Télécommande sans fil
- Application mobile
- Pédale sans fil
- Connectivité Humminbird^{MD}
- Télécommande du système de navigation GPS avancé



ACCESSOIRES MINN KOTA

Nous offrons un large éventail d'accessoires pour les propulseurs électriques, y compris:

- Un Disjoncteur de 60 A
- Des Supports de Montage
- Des Ensembles Stabilisateur
- Des Rallonges de Poignée
- Des connecteurs de batterie
- Bacs à Batterie
- Des fiches de connexion rapide



minnkota.johnsonoutdoors.com    

Part #2327136

Minn Kota Consumer & Technical Service
Johnson Outdoors Marine Electronics, Inc.
PO Box 8129
Mankato, MN 56001

121 Power Drive
Mankato, MN 56001
Phone (800) 227-6433
Fax (800) 527-4464



©2024 Johnson Outdoors Marine Electronics, Inc.
All rights reserved.

ECN 44629

Rev D

01/24