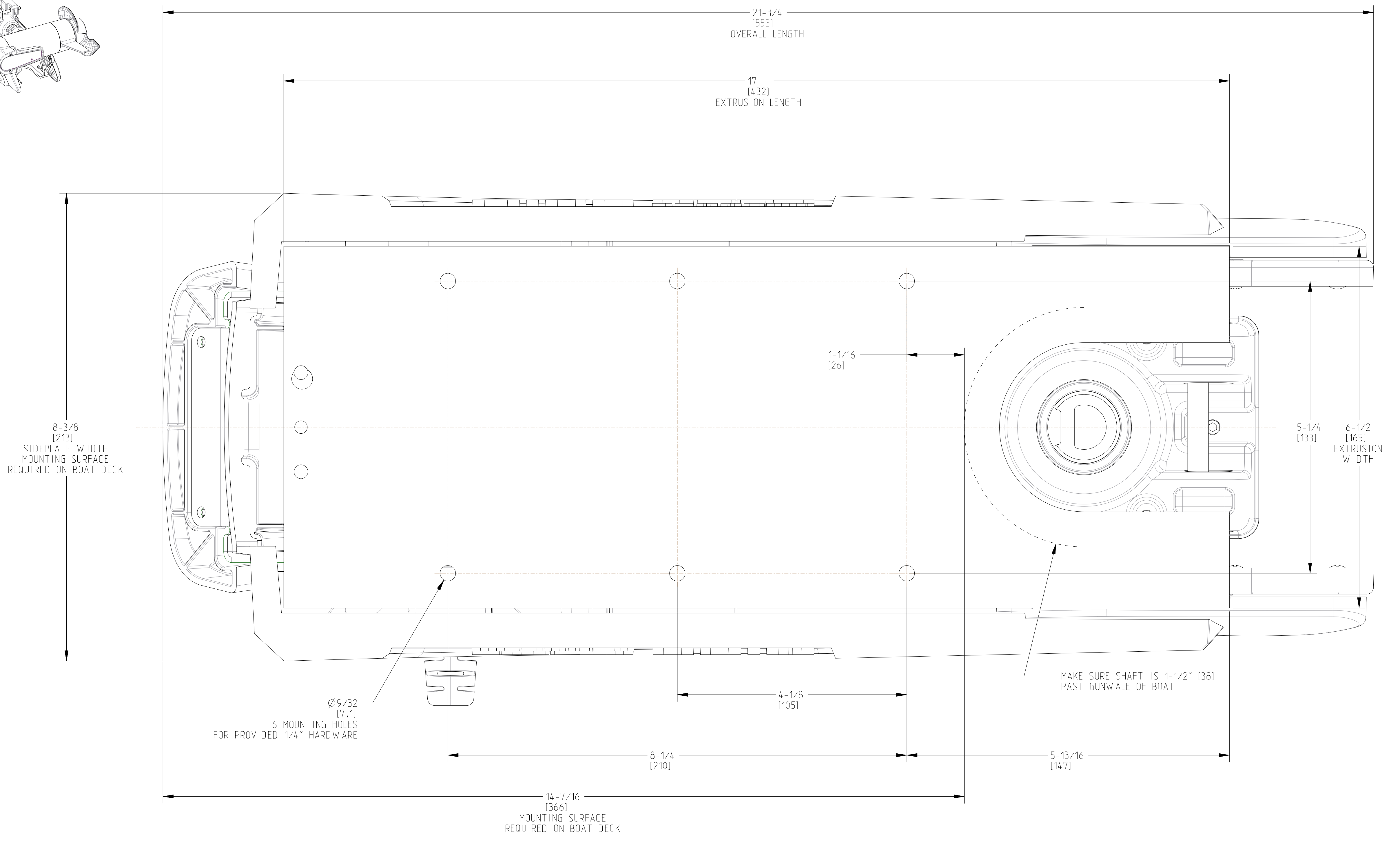
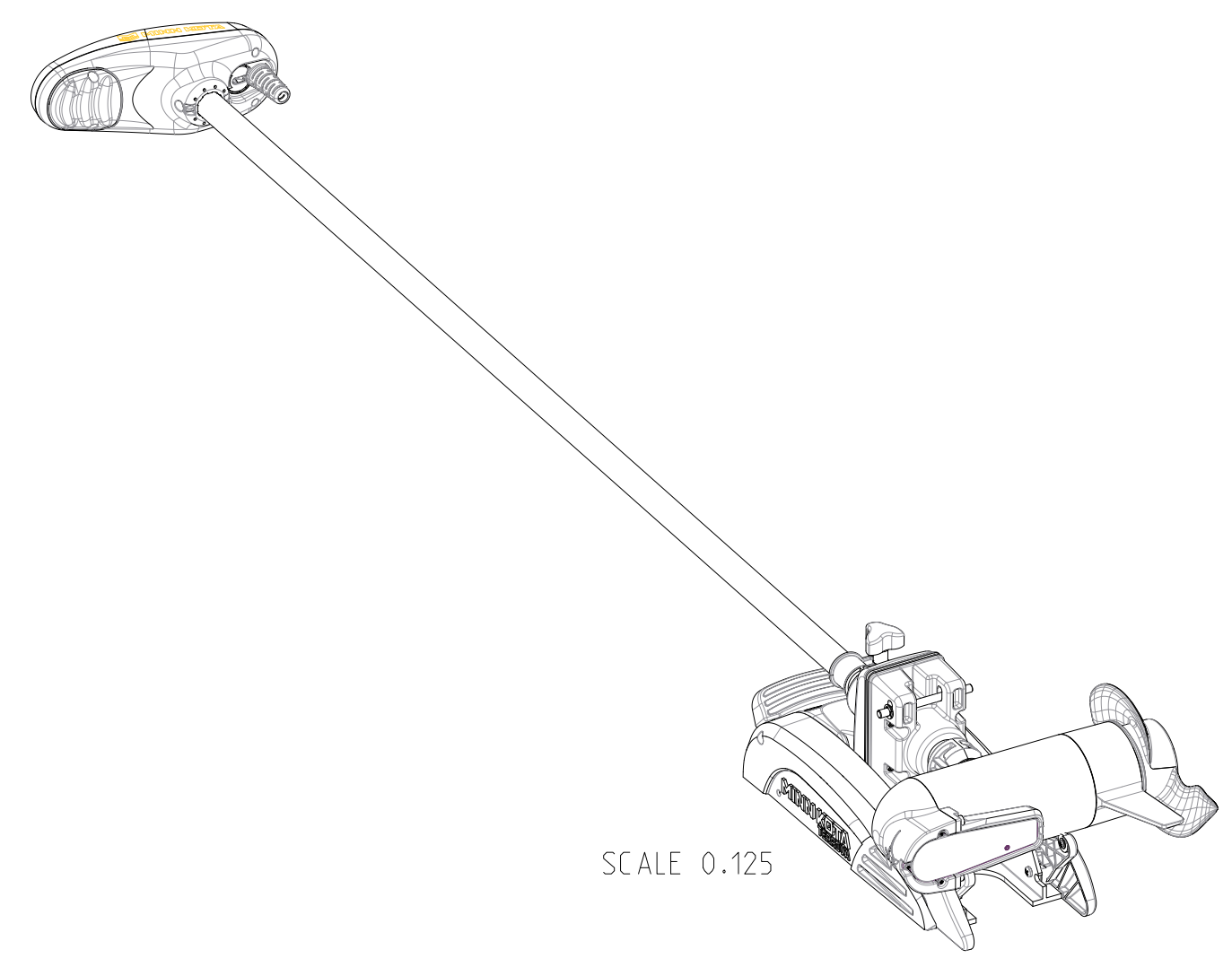


REV.		ECN NO.	REVISIONS DESCRIPTION	BY	DATE
A	43471		RELEASE FOR PRODUCTION	NMB	06JUN2023
B	44494		ADDED 87" MOTOR	NMB	10NOV2023



SCALE 1.000

CUSTOMER DRAWING

JOHNSON OUTDOORS
MARINE ELECTRONICS, INC.

DRAWING NAME: TERROVA 55/80/112

DRAWING NO: CD0011

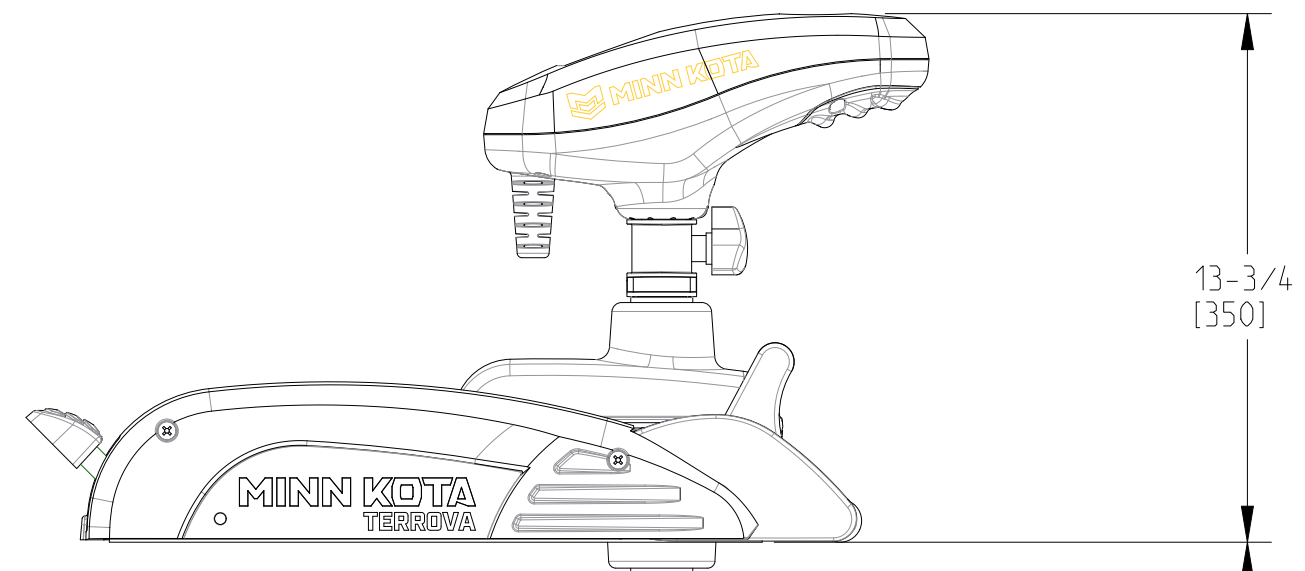
SHEET 1 OF 1

U/A IN. (MM)

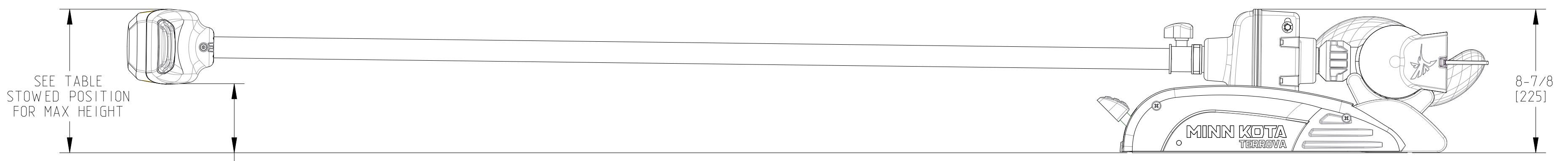
REV: B

CAUTION: ALWAYS WEAR SAFETY GLASSES AND GLOVES. DISCONNECT ALL POWER BEFORE BEGINNING ANY WORK OR MAINTENANCE. JOHNSON OUTDOORS, INC. IS NOT RESPONSIBLE FOR ANY DAMAGE DUE TO IMPROPER RIGGING OR INSTALLATION. IF YOU DO NOT HAVE THE SKILLS, EXPERIENCE AND TOOLS TO PERFORM THE FOLLOWING MAINTENANCE AND REPAIRS, WE RECOMMEND YOU SEEK THE HELP OF AN AUTHORIZED SERVICE CENTER. OR CONTACT OUR TECHNICAL SERVICE DEPARTMENT BY DIALING 800-227-6433.

REVISIONS				
REV.	ECN NO.	DESCRIPTION	BY	DATE
		SEE SHEET 1		



13-3/4
[350]



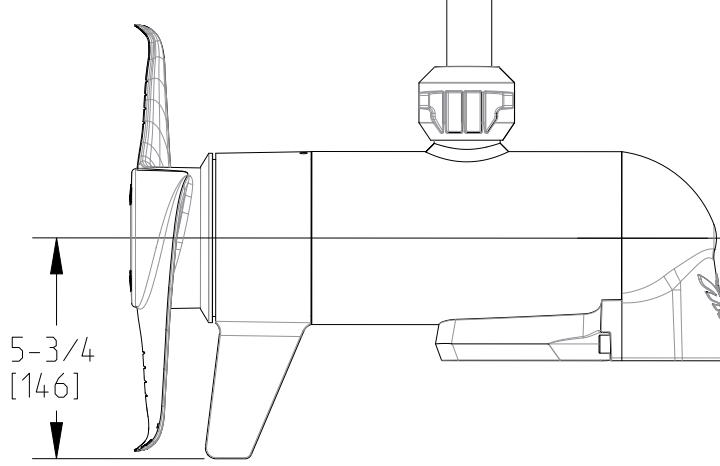
SEE TABLE
STOWED POSITION
FOR MAX HEIGHT

SEE TABLE
STOWED POSITION
FOR HEAD CLEARANCE

SCALE 0.200

8-7/8
[225]

SEE TABLE
DEPLOYED POSITION
FOR DEPTH

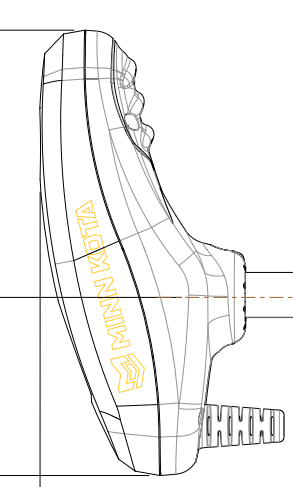


5-3/4
[146]

SCALE 0.200

7
[177]

4-5/8
[118]



SEE TABLE
STOWED POSITION
FOR MAX LENGTH

10-3/4
[275]
MAX

6-3/4
[172]
MAX
SEE NOTE 1

8-3/4
[223]
MAX
SEE NOTE 1

NOTES:
1. MOTOR IS ABLE TO BE ORIENTED
WITH PROP ON EITHER SIDE OF MOUNT

DEPLOYED POSITION	
MODEL	DEPTH
87"	79-7/8 [2029]
72"	64-1/2 [1638]
60"	52-1/2 [1334]
54"	46-1/2 [1181]
45"	37-1/2 [953]

STOWED POSITION			
MODEL	MAX HEIGHT	HEAD CLEARANCE	MAX LENGTH
87"	9-1/8 [232]	4-1/2 [114]	99-5/8 [2530]
72"	8-7/8 [225]	4-1/4 [108]	84-1/4 [2140]
60"	8-3/4 [222]	4-1/8 [105]	72-1/4 [1835]
54"	8-5/8 [219]	4 [102]	66-1/4 [1683]
45"	8-1/2 [216]	3-7/8 [98]	57-1/4 [1454]

CAUTION: ALWAYS WEAR SAFETY GLASSES AND GLOVES. DISCONNECT ALL POWER BEFORE BEGINNING ANY WORK OR MAINTENANCE. JOHNSON OUTDOORS INC. IS NOT RESPONSIBLE FOR ANY DAMAGE DUE TO IMPROPER RIGGING OR INSTALLATION. IF YOU DO NOT HAVE THE SKILLS, EXPERIENCE AND TOOLS TO PERFORM THE FOLLOWING MAINTENANCE AND REPAIRS, WE RECOMMEND YOU SEEK THE HELP OF AN AUTHORIZED SERVICE CENTER. OR CONTACT OUR TECHNICAL SERVICE DEPARTMENT BY DIALING 800-227-6433.

CUSTOMER DRAWING

JOHNSON OUTDOORS
MARINE ELECTRONICS, INC.

DRAWING NAME: TERROVA 55/80/112

DRAWING NO: CD0011

SHEET 02

U/A: IN. (MM)

REV: B